



# INSTALLATION AND OPERATION MANUAL

Condensing dehumidifier

Condair DP 50W / 75W / DP 100W / DP 150W /  
DP 153W / DP 200W / DP 203W  
DP 50R / 75R / DP 100R / DP 150R /  
DP 153R / DP 200R / DP 203R

# Thank you for choosing Condair

Installation date (MM/DD/YYYY):

Commissioning date (MM/DD/YYYY):

Site:

Model:

Serial number:

## Proprietary Notice

This document and the information disclosed herein are proprietary data of Condair Group AG. Neither this document, nor the information contained herein shall be reproduced, used, or disclosed to others without the written authorisation of Condair Group AG, except to the extent required for installation or maintenance of recipient's equipment.

## Liability Notice

Condair Group AG does not accept any liability due to incorrect installation or operation of the equipment or due to the use of parts/components/equipment that are not authorised by Condair Group AG.

## Copyright Notice

© Condair Group AG, All rights reserved.

Technical modifications reserved.

## INDEX

1. INTRODUCTION .....	5
1.1 Preliminary information .....	5
1.2 Aim and content of the manual .....	5
1.3 How to store this manual .....	5
1.4 Manual Update .....	5
1.5 How to use this manual .....	5
1.6 Potential Risks .....	6
1.7 General Description of Symbols Used .....	7
1.8 Safety symbols used .....	8
1.9 Limitations and prohibited use .....	8
1.10 Unit identification .....	9
2. SAFETY .....	10
2.1 Warning re potentially hazardous toxic substances .....	10
2.2 Refrigerant handling .....	10
2.3 Prevent inhalation of high vapor concentration .....	11
2.4 Procedures to be adopted in the event of accidental release of refrigerant .....	11
2.5 Main Toxicological Information Regarding the Type of refrigerant used .....	11
2.6 First Aid Measures .....	11
3. TECHNICAL CHARACTERISTICS .....	12
3.1 Unit description .....	13
3.2 Other versions .....	13
3.3 Accessories description .....	13
3.4 Technical data .....	14
3.5 Perdite di carico circuito idraulico .....	15
3.6 Operation limits .....	16
3.7 Sound data .....	17
3.8 Safety devices .....	17
4. INSTALLATION .....	18
4.1 General safety guidelines and use of symbols .....	18
4.2. Health and safety Considerations .....	18
4.3 Personal protective equipment .....	18
4.4 Inspection .....	19
4.5 Storage .....	19
4.6 Unpacking .....	19
4.7 Lifting and handling .....	19
4.8 Location and minimum technical clearances .....	20
4.9 Unit installation .....	21
4.10 Type of installation .....	23
4.11 Installation of the 90° plenum (PMBH) .....	23
4.12 How to dismount the cabinet .....	24
4.13 How to access to electronic control .....	24
4.14 How to mount the feet (Accessory) (ZOCC) .....	25
4.15 Condensate draining connections .....	25
4.16 How to remove filters .....	26
4.17 How to connect the hot water coil (HOWA) (Accessory) .....	26
4.18 3 way modulating valve (KIVM) (Accessory) .....	27
4.19 Grille kit and case for ducted version (KGBH) .....	27
4.20 Accessory installation HYGR .....	28
4.21 Serial interface card RS485 (INSE) .....	28
4.22 Electric connections: preliminary safety information .....	29
4.23 Electrical data .....	30
4.24 How to connect the power supply .....	30
4.25 Electric connections .....	31
4.26 Basic refrigerant circuit layout .....	32

5. UNIT START UP .....	33
5.1 Preliminary checks.....	33
5.2 Description of the control panel .....	34
5.3 Remote control panel.....	35
6. USE .....	37
6.1 Switch the unit on .....	37
6.2 Stop .....	39
6.3 Stand-by .....	39
6.4 How to change the set points .....	39
6.5 Acoustic signal silencing.....	40
6.6 Display during alarm.....	40
6.7 Alarm reset.....	40
7. MAINTENANCE OF THE UNIT .....	41
7.1 General warnings.....	41
7.2 Drive access .....	42
7.2 Scheduled maintenance .....	42
7.3 Periodical checks.....	42
7.4 Refrigerant circuit repair .....	44
8. DECOMMISSIONING.....	45
8.1 Disconnect the unit .....	45
8.2 Disposal, recovery and recycling.....	45
8.3 RAEE Directive (only UE).....	45
9. DIAGNOSIS AND TROUBLESHOOTING .....	46
9.1 Fault finding .....	46
10.DIMENSIONAL DRAWINGS .....	47
11. EU DECLARATION OF CONFORMITY .....	53
12. MAINTENANCE AND SERVICE REPORT .....	54

## 1. INTRODUCTION

### 1.1 Preliminary information

Reproduction, storage or transmission of any part of this publication in any form, without the prior written consent of the Company, is prohibited.

The unit to which these instructions refer, is designed to be used for the the purposes described and to be operated in accordance with these instructions.

The Company will not be liable for claims for damage caused to persons, animals, material goods or property caused by improper installation, adjustment and maintenance or improper use. Any use not specified in this manual is prohibited.

This document is intended to provide information only and does not form a contract with third parties.

The Company pursues a policy of constant improvement and development of its products and therefore reserves the right to change the specifications and the documentation at any time, without notice and without obligation to update existing equipment.

### 1.2 Aim and content of the manual

These instructions are intended to provide the information required for the selection, installation, use and maintenance of the unit.

They have been prepared in accordance with the European Union laws and with the technical standards in force at the date of issue of the instructions.

The instructions contain all the necessary information to prevent any reasonably foreseeable misuse.

### 1.3 How to store this manual

The manual must be kept in a suitable place with easy access for users and operators, protected from dust and damp.

The manual must always accompany the unit during the entire life cycle of the same and therefore must be transferred to any subsequent user.

### 1.4 Manual Update

It is recommended that the manual is updated to the latest revision available.

If updates are sent to the customer they must be added to this manual.

The latest information regarding the use of its products is available by contacting the Company.

### 1.5 How to use this manual



The manual is an integral part of the unit.

Users or operators must consult the manual before performing any operation and especially so when transporting, handling, installing, maintaining, or dismantling the unit in order to eliminate uncertainty and reduce risk.



In these instructions symbols have been used (described in the following paragraphs) to draw the attention of operators and users to the operations that have a higher risk and which must be performed safely.

### 1.6 Potential Risks

Whilst the unit has been designed to minimize any risk posed to the safety of people who will interact with it, it has not been technically possible to eliminate completely the causes of risk. It is therefore necessary to refer to the requirements and symbolism below:

LOCATION OF RISK	POTENTIAL RISK	METHOD OF INJURY	PRECAUTIONS
Thermal heat exchangers.	Small stab wounds.	Contact	Avoid any contact, use protective gloves.
Fan and fan grilles.	Cuts, eye damage, broken bones.	Insertion of sharp objects through the grid while the fans are operating.	Never put objects through the protection grilles.
Internal component: compressors and discharge pipes	Burns.	Contact	Avoid any contact, use protective gloves.
Internal component: electric cables and metallic parts	Electrocution, severe burns.	Defect in the supply cable insulation, live metallic parts.	Adequate protection of power cables, ensure correct earthing of all metal parts.
External to unit: unit enclosure	Poisoning, severe burns.	Fire due to short circuit or overheating of the supply cable external to unit.	Size cables and mains protection system in accordance with iee regulations.
Low pressure safety valve.	Poisoning, severe burns.	High evaporating pressure causing a refrigerant discharge during maintenance.	Carefully check the evaporating pressure during the maintenance operations. Use all personal protective equipment required by the law. PPE must also protect against gas leaks from the safety valve. The outlet of these valves is directed to avoid causing damage to persons or goods.
High pressure safety valve.	Poisoning, severe burns, hearing loss.	Activation of the high pressure safety valve with the refrigerant circuit open.	If possible, do not open the refrigerant circuit valve; carefully check the condensing pressure; use all the personal protective equipment required by law. PPE must also protect against gas leaks from the safety valve. The outlet of these valves is directed to avoid causing damage to persons or goods.
Entire unit	External fire	Fire due to natural disasters or combustions of elements nearby unit	Provide the necessary fire-fighting equipment
Entire unit	Explosion, injuries, burns, poisoning, folgoramento for natural disasters or earthquake.	Breakages, failures due to natural disasters or earthquake	Plan the necessary precautions both electrical (suitable differential magneto and electrical protection of the supply lines; greatest care during the connections of the metal parts), and mechanical (special anchors or seismic vibrations to prevent breakages or accidental falls ).

## 1.7 General Description of Symbols Used

Safety symbols combined in accordance with ISO 3864-2:



### **BANNED**

A black symbol inside a red circle with a red diagonal indicates an action that should not be performed.



### **WARNING**

A black graphic symbol added to a yellow triangle with black edges indicates danger.



### **ACTION REQUIRED**

A white symbol inserted in a blue circle indicates an action that must be done to avoid a risk.

Safety symbols combined in accordance with ISO 3864-2:



The graphic symbol "warning" is qualified with additional safety information (text or other symbols).

## 1.8 Safety symbols used



### GENERAL RISK

Observe all signs placed next to the pictogram. The failure to follow directions may create a risk situation that may be injurious to the user.



### ELECTRICAL HAZARD

Observe all signs placed next to the pictogram. The symbol indicates components of the unit and actions described in this manual that could create an electrical hazard.



### MOVING PARTS

The symbol indicates those moving parts of the unit that could create risk.



### HOT SURFACES

The symbol indicates those components with high surface temperature that could create risks.



### SHARP SURFACES

The symbol indicates components or parts that could cause stab wounds.



### EARTH CONNECTION

The symbol identifies Earthing connection points in the unit.



### READ AND UNDERSTAND THE INSTRUCTIONS

Read and understand the instructions of the machine before any operations.



### RECOVER OR RECYCLE MATERIAL

## 1.9 Limitations and prohibited use

The machine is designed and built exclusively for the uses described in "Limitations of use" of the technical manual. Any other use is prohibited because it may pose a potential risk to the health of operators and users.



The unit is not suitable for operations in environments:

- excessively dusty or potentially explosive atmospheres;
- where there are vibrations;
- where there are electromagnetic fields;
- where there are aggressive atmospheres

### 1.10 Unit identification

Each unit has a rating plate that provides key information regarding the machine. The rating plate may differ from the one shown below as the example is for a standard unit without accessories. For all electrical information not provided on the label, refer to the wiring diagram. A facsimile of the label is shown below:

		Manufacturer: PD322111	
Condair Group AG, Gwattstrasse 17, 8808 Pfäffikon Switzerland			
<b>1DP0.075A-2B</b> <small>Modello Model</small>		<b>123456</b> <small>Matricola Serial number</small>	
<b>1</b> <small>Categoria PED PED Category</small>		<b>8/2017</b> <small>Data di fabbricazione Manufacture date</small>	
<b>R410A</b> <small>Tipo refrigerante Refrigerant type</small>	<b>2</b> <small>Gruppo fluido Fluid group</small>	<b>2088</b> <small>GWP</small>	
<b>0,6 Kg</b> <small>C1 C3</small>	<b>1,25 ton</b> <small>C2 C4</small>	<small>CO<sub>2</sub> Equivalente CO<sub>2</sub> Equivalente</small>	
<b>230V-1ph-50Hz</b> <small>Tensione-Fasi-Frequenza Voltage-Phases-Frequency</small>		<b>6,10 A</b> <small>F.L.A. (A)</small>	<b>1,40 kW</b> <small>F.L.L. (kW)</small>
<small>LATO BASSA PRESSIONE LOW PRESSURE SIDE</small>		<small>LATO ALTA PRESSIONE HIGH PRESSURE SIDE</small>	
<b>22 bar</b> <small>PS</small>		<b>42 bar</b> <small>PS</small>	
<small>Min</small> <b>-30 °C</b>	<small>Max</small> <b>+130 °C</b>	<small>Min</small> <b>-30 °C</b>	<small>Max</small> <b>+130 °C</b>
<small>Temperatura di progetto Design temperature</small>		<small>Temperatura di progetto Design temperature</small>	
<b>71 Kg</b> <small>Peso a vuoto Weight</small>			
Contiene gas fluorurati ad effetto serra disciplinati dal protocollo di Kyoto Contains fluorinated greenhouse gasses covered by the Kyoto protocol			
			



The product label should never be removed from the unit.

## 2. SAFETY

### 2.1 Warning re potentially hazardous toxic substances

#### 2.1.1 Identification of the Type of Refrigerant Fluid Used: R410A

- Difluoromethane (HFC-32) 50% by weight CAS No.: 000075-10-5
- Pentafluoroethane (HFC-125) 50% by weight CAS No.: 000354-33-6

#### 2.1.2 Identification of the Type of Oil Used.

The lubricant used is polyester oil. Please refer to the information provided on the compressor data plate.



For further information regarding the characteristics of the refrigerant and oil used, refer to the safety data sheets available from the refrigerant and oil manufacturers.

Main Ecological Information Regarding the Types of refrigerants Fluids used.



**ENVIRONMENTAL PROTECTION** : Read the ecological information and the following instructions carefully.

#### 2.1.3 Persistence and degradation

The refrigerants used decompose in the lower atmosphere (troposphere) relatively quickly. The decomposed products are highly dispersible and therefore have a very low concentration. They do not influence the photochemical smog which is not among the VOC volatile organic compounds (as stipulated in the guidelines to the UNECE). The constituent refrigerants of R410C (R32, R125), do not damage the ozone layer. These substances are regulated under the Montreal Protocol (revised 1992) and regulations EC no. 2037/200 of 29 June 2000.

#### 2.1.4 Effects of discharges

Discharges into the atmosphere of this product does not cause a long-term contamination.

#### 2.1.5 Exposure controls and personal protection

Wear protective clothing and gloves, protect your eyes and face

#### 2.1.6 Professional exposure limits

R410A  
HFC-32 TWA 1000 ppm  
HFC-125 TWA 1000 ppm

## 2.2 Refrigerant handling



Users and maintenance personnel must be adequately informed about the possible risks of handling potentially toxic substances. Failure to follow such instructions can cause damage to personnel or to the unit.

## 2.3 Prevent inhalation of high vapor concentration

Atmospheric concentrations of refrigerant must be minimized and kept to a level that is below the occupational exposure limit. Vapor is heavier than air and can form dangerous concentrations near the ground where the ventilation rate is lower. Always ensure adequate ventilation. Avoid contact with open flames and hot surfaces as this can cause toxic and irritating decomposition products to form. Avoid contact between liquid refrigerant and the eyes or skin.

## 2.4 Procedures to be adopted in the event of accidental release of refrigerant

Ensure suitable personal protection (especially respiratory protection) during cleaning operations.

If deemed safe, isolate the source of the leak. If the leakage is small and if adequate ventilation is provided, allow the refrigerant to evaporate. If the loss is substantial ensure that measures are taken to adequately ventilate the area.

Contain spilled material with sand, earth or other suitable absorbent material.

Do not allow the refrigerant to enter drains, sewers or basements, as pockets of vapor can form.

## 2.5 Main Toxicological Information Regarding the Type of refrigerant used

### 2.5.1 Inhalation

A high atmospheric concentration can cause anaesthetic effects with possible loss of consciousness. Prolonged exposure may lead to irregular heartbeat and cause sudden death. Higher concentrations may cause asphyxia due to the reduced oxygen content in the atmosphere.

### 2.5.2 Contact with skin

Splashes of nebulous liquid can produce frostbite. Probably not hazardous if absorbed through the skin. Repeated or prolonged contact may remove the skin's natural oils, with consequent dryness, cracking and dermatitis.

### 2.5.3 Contact with eyes

Splashes of liquid may cause frostbite.

### 2.5.4 Ingestion

While highly improbable, may produce frostbite.

## 2.6 First Aid Measures



Adhere scrupulously to the warnings and first aid procedures indicated below.

### 2.6.1 Inhalation

Move the person away from the source of exposure, keep him/her warm and let him/her rest. Administer oxygen if necessary. Attempt artificial respiration if breathing has stopped or shows signs of stopping. If the heart stops, perform external heart massage. Seek medical assistance.

### 2.6.2 Contact with skin

In case of contact with skin, wash immediately with lukewarm water. Thaw tissue using water. Remove contaminated clothing. Clothing may stick to the skin in case of frostbite. If irritation, swelling or blisters appear, seek medical assistance.

### 2.6.3 Contact with eyes

Rinse immediately using an eyewash or clean water, keeping eyelids open, for at least ten minutes. Seek medical assistance.

### 2.6.4 Ingestion

Do not induce vomiting. If the injured person is conscious, rinse his/her mouth with water and make him/her drink 200-300ml of water. Seek immediate medical assistance.

### 2.6.5 Further medical treatment

Treat symptoms and carry out support therapy as indicated. Do not administer adrenaline or similar sympathomimetic drugs following exposure, due to the risk of cardiac arrhythmia.

## 3. TECHNICAL CHARACTERISTICS

### 3.1 Unit description

The dehumidifiers are expressly designed for use in swimming pools where humidity should be closely controlled in order to guarantee optimal comfort. This series comprises five models which cover a capacity range from 50 to 200 l/24h.

The units are designed for easy maintenance and service, each part being readily accessible and, when required, easily replaceable thus reducing service and maintenance costs.

#### 3.1.1 Frame

All units are made from hot-galvanised thick sheet metal, painted with polyurethane powder enamel at 180°C to ensure the best resistance against the atmospheric agents and to operate in aggressive environments. The frame is self-supporting with removable panels. A PVC drip tray is installed on all units. The colour of the unit is RAL 9010 both for the base and for the frontal panel.

#### 3.1.2 Refrigerant circuit

The refrigerant circuit is made by using international primary brands components and according to ISO 97/23 concerning welding procedures. The refrigerant gas used in these units is R410A. The refrigerant circuit includes: capillary tube, Schrader valves for maintenance and control, pressure safety device (according to PED regulation).

#### 3.1.3 Compressors

The compressors are rotative type, with thermal overload protection by a klixon embedded in the motor winding. The compressor is mounted on rubber vibration dampers and it is supplied, standard, with sound-proof cover to reduce noise emission. The inspection is possible through the frontal panel of the unit that allows the maintenance of the compressor.

#### 3.1.4 Condenser and evaporator

Condensers and evaporators are made of copper pipes and aluminium fins. All evaporators are painted with epoxy powders to prevent corrosion problem due to their use in aggressive environments. The diameter of the copper pipes is 3/8" and the thickness of the aluminium fins is 0,15 mm. The tubes are mechanically expanded into the aluminium fins to improve the heat exchange factor. The geometry of these heat exchangers guarantees a low air side pressure drop and then the use of low rotation (and low noise emission) fans. All units are supplied, standard, with a PVC drip tray and all evaporators are supplied with a temperature sensor used as automatic defrost probe.

#### 3.1.5 Fans

The fans are made of galvanized steel, centrifugal type. It is statically and dynamically balanced and supplied. The electric motors are directly connected to the fan; they are all at 3 speeds, with integrated thermal protection. The protection class of the motors is IP 54.

#### 3.1.6 Air filter

It is made of synthetic filtering media, undulated type, without electro-static charge; they are all removable for differential disposal. Efficiency class coarse 30%, according to EN 16890:2017.

### 3.1.7 Microprocessors

All units are supplied standard with microprocessor controls. The microprocessor controls the following functions: regulation of the water temperature, antifreeze protection, compressor timing, compressor automatic starting sequence, alarm reset, potential free contact for remote general alarm, alarms and operation leds.

### 3.1.8 Electric enclosure

The electric switch board is made according to electromagnetic compatibility norms CEE 73/23 and 89/336. The accessibility to the board is possible after removing the front panel of the unit and the OFF positioning of the main switch. If the unit is endowed of cabinet, after its removal.

### 3.1.9 Control and protection devices

All units are supplied with the following control and protection devices: defrost thermostat, which signals to the microprocessor control that a defrost cycle is needed and controls its termination, high pressure switch with automatic reset, compressor thermal overload protection, fans thermal overload protection.

### 3.1.10 Test

All the units are fully assembled and wired at the factory, carefully evacuated and dried after leak tests under pressure and then charged with refrigerant R410A. They are all fully operational tested before shipment. They all conforms to European Directives and are individually marked with the CE label and provided with Conformity Declaration.

## 3.2 Other versions

### 3.2.1 Version with cabinet (DP-W)

Unit suitable for vertical installation in the swimming pool hall.

### 3.2.2 Ducted version (DP-R)

Unit suitable for vertical ducted installation in technical room.

## 3.3 Accessories description

### 3.3.1 Electric heater 3kw 230/1/50 (HOEL)

Aluminium bedridden heaters able to maximize the heat transfer, due to the large fins surface, to transmit 85% of the convective heat quickly and evenly, moving a large volume of air.

### 3.3.2 Hot water coil (HOWA)

The heat exchanger is made of copper pipes and aluminium fins. The diameter of the copper pipes is 3/8" and the thickness of the aluminium fins is 0,1 mm. The tubes are mechanically expanded into the aluminium fins to improve the heat exchange factor.

### 3.3.3 Remote mechanical hygrostat (HYGR)

To be installed on the wall, it is supplied with a regulation knob and working range from 30% to 100% with precision of 3%.

### 3.3.4 Louver kit and case for ducted version (KGBH)

Air grille double row adjustable brushed aluminium fins, equipped for wall mounting with subframe.

### 3.3.5 3 Way modulating valve (KIVM)

It is used to control the waterflow in the coil. The valve is directly controlled from the unit microprocessor.

### 3.3.6 Delivery and return plenum 90° (2 PIECES) (PMBH)

To be used for "P" version to direct inlet/outlet air from/to swimming pool and vice versa. Galvanized steel made, coated with polyurethane powder to grant best resistance to weathering and operation in harsh environments.

### 3.3.8 Metallic Feet (ZOCC)

Metallic galvanized steel feet, painted (RAL 9010), used to install the unit on unsuitable walls. The feet can not be used in case the supply and return plenums are present.

### 3.3.9 Serial interface card RS485 (INSE)

This interface card enables the controller to communicate with other devices using Modbus protocol.

### 3.3.10 Remote control panel (PCRL)

This panel can be mounted up to 50m (maximum) from the unit and replicates all of the control functions. It is connected using a twin cable of 0.5 mm sq section.

## 3.4 Technical data

Models DP-W and DP-R		50	75	100	150	153	200	203
Dehumidification capacity at 30°C - 80%	l/24h	56,0	79,4	108,2	154,9	151,1	209,6	207,0
Dehumidification capacity at 30°C - 60%	l/24h	40,7	58,0	79,1	111,8	112,0	151,5	151,8
Dehumidification capacity at 27°C - 60%	l/24h	35,7	50,8	69,1	97,1	97,1	132,2	132,2
Dehumidification capacity at 20°C - 60%	l/24h	25,2	35,8	48,9	68,8	67,4	93,6	92,5
Nominal input power <sup>(1)</sup>	kW	0,7	1,2	1,6	1,7	1,8	2,5	2,6
Maximum input power <sup>(1)</sup>	kW	1,0	1,8	1,8	2,7	3,2	3,0	3,5
Maximum input power <sup>(2)</sup>	kW	3,5	4,8	4,8	8,7	9,2	7,5	8,0
Electric heater	kW	2,5	3,0	3,0	6,0	6,0	4,5	4,5
Maximum input current <sup>(1)</sup>	A	5,2	7,5	8,2	12,2	15,1	6,5	7,2
Maximum input current <sup>(2)</sup>	A	16,1	20,5	21,2	38,2	41,1	26	26,7
Peak current <sup>(1)</sup>	A	20,3	25,0	27,0	41,0	68	28,8	31,8
Peak current <sup>(2)</sup>	A	31,3	38,0	40,0	67,0	94	48,3	51,3
Hot water coil capacity <sup>(3)</sup>	kW	3,5	7,0	7,0	11,5	11,5	11,8	11,8
Air flow	m <sup>3</sup> /h	500	800	1000	1400	1400	1650	1650
Available static pressure	Pa	40	40	40	40	40	40	40
Refrigerant		R410A	R410A	R410A	R410A	R410A	R410A	R410A
Global warming potential (GWP)		2088	2088	2088	2088	2088	2088	2088
Refrigerant charge	Kg	0,47	0,60	0,70	1,20	1,20	1,20	1,20
Equivalent CO <sub>2</sub> charge	t	0,98	1,25	1,46	2,51	2,51	2,51	2,51
Sound power level <sup>(4)</sup>	dB(A)	54	57	57	59	59	61	61
Sound pressure level <sup>(5)</sup>	dB(A)	40	43	43	45	45	47	47
Power Supply	V/Ph/Hz	230/1/50	230/1/50	230/1/50	230/1/50	400/3+N/50	230/1/50	400/3+N/50

Performances are calculated with low fan speed and are referred to the following conditions:

(1) Without electric heater.

(2) With electric heater.

(3) Room temperature 30°C; water temperature 80/70°C, compressor switched off.

(4) Sound power level calculated according to ISO 9614.

(5) Sound pressure level measured in free field. at 1 mt from the unit. directional factor Q=2 according to ISO 9614.

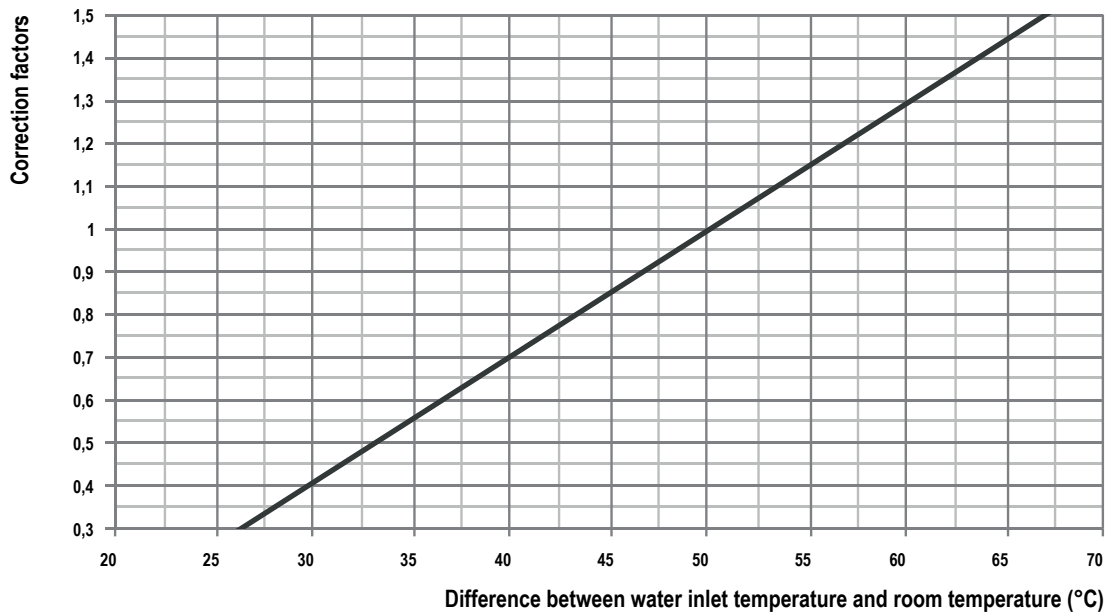


The refrigerant data may change without notice. It is therefore necessary to refer always to the silver label placed on the unit.

### 3.4.1 Hot water coil (Accessory)(HOWA)

Models DP-W y DP-R		50	75	100	150	153	200	203
Hot water coil capacity	kW	3,5	7	7	11,5	11,5	11,8	11,8
Waterflow	l/h	308	618	620	1029	1029	1041	1041
Water pressure drops	kPa	40,09	24,93	25,06	13,11	13,11	13,42	13,42

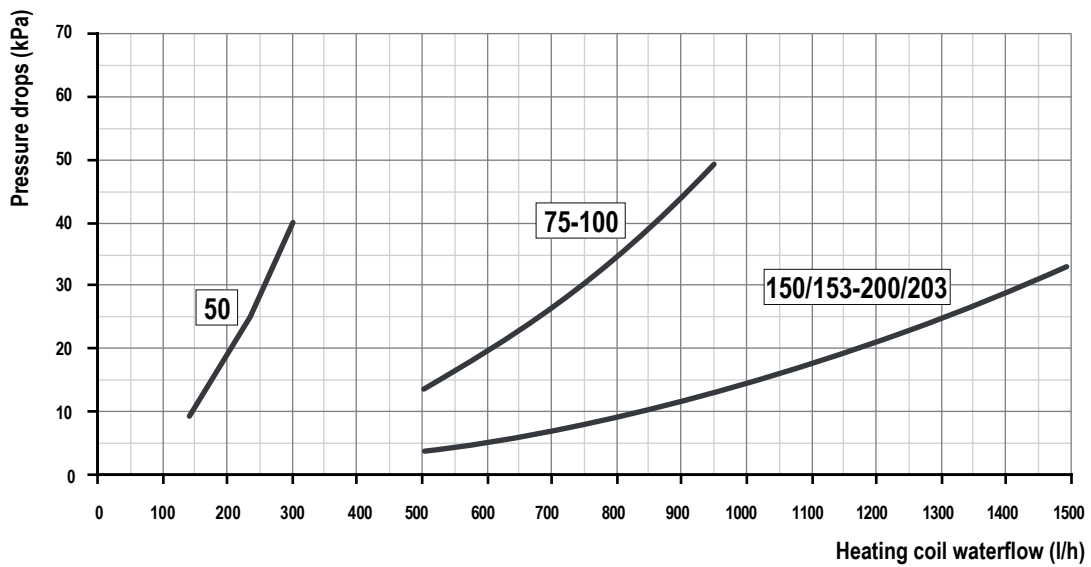
### 3.4.2 Hot water coil correction factors (HOWA)



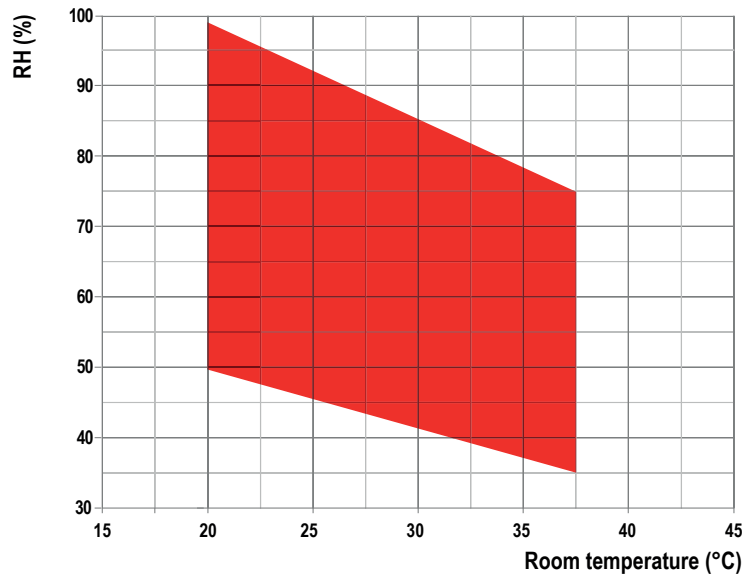
The hot water coil capacity in different conditions can be obtained multiplying the nominal capacity (See above), by the correction factor indicated in the table.

### 3.5 Pressure drops of hot water coil

The graphic below shows the pressure drops of the hydraulic circuit that includes the hot water coil and the 3 way ON-OFF valve.



### 3.11 Operation limits



All the units can run with room humidity or external humidity between 50% and 99%.



The units **MUST** be used within the operation limit indicated in the diagrams (see above). the warranty will be invalidated if the units are used in ambient conditions outside the limits reported. If there is the necessity to operate in different conditions, please contact our technical office.



Units are designed to operates with hot water temperatures variables from 35°C to 80°C



In the case of HOWA or HOEL accessories, the maximum ambient temperature is limited by 5K.

### 3.7 Sound data

Sound data										
Modd.	Octave band (Hz)								Lw	Lp
	63	125	250	500	1K	2K	4K	8K	dB(A)	dB(A)
	dB(A)	dB(A)	dB(A)	dB(A)	dB(A)	dB(A)	dB(A)	dB(A)		
50	67,1	58,3	52,2	50,7	49,6	44,2	40,8	31,7	54	40
75	70,1	61,3	55,2	53,7	52,6	47,2	43,8	34,7	57	43
100	70,1	61,3	55,2	53,7	52,6	47,2	43,8	34,7	57	43
150	72,1	63,3	57,2	55,7	54,6	49,2	45,8	36,7	59	45
153	72,1	63,3	57,2	55,7	54,6	49,2	45,8	36,7	59	45
200	74,1	65,3	59,2	57,7	56,6	51,2	47,8	38,7	61	61
203	74,1	65,3	59,2	57,7	56,6	51,2	47,8	38,7	47	47

Lw: Sound power level according to ISO 9614.

Lp: Sound pressure level measured at 1 mt from the unit in free field conditions direction factor Q=2 according to ISO 9614.

### 3.8 Safety devices

#### 3.8.1 High pressure switch

The high pressure switch stops the unit when the discharge compressor pressure is higher than the set value. The restart is automatic, done when the pressure is under the level set in the differential value.

#### 3.8.2 Defrost probe

It's a device which signals to the electronic control, the necessity to make the defrost cycle. Once the defrost cycle is activated, the defrost thermostat determines also its conclusion.

#### 3.8.3 Defrosting

The frost on the coil, obstructs the air flow, reduces the available exchange area and consequently the unit performances and can seriously damage the system. All the units are supplied, standard, with a control which defrost automatically the heat exchanger if necessary. This control provides a temperature probe (defrost thermostat) on the unit evaporator. When the defrost cycle is required, the microprocessor control (according to set parameters), switches the compressor off, while the fan remains in operation. At the end of the defrost cycle, it is waited for the dripping time to allow the complete cleaning of the coil.

## 4. INSTALLATION

### 4.1 General safety guidelines and use of symbols



Before undertaking any task the operator must be fully trained in the operation of the machines to be used and their controls. They must also have read and be fully conversant with all operating instructions.



All maintenance must be performed by TRAINED personnel and be in accordance with all national and local regulations.



The installation and maintenance of the unit must comply with the local regulations in force at the time of the installation.



Avoid contact and do not insert any objects into moving parts.

### 4.2 Health and safety Considerations



The workplace must be kept clean, tidy and free from objects that may prevent free movement. Appropriate lighting of the work place shall be provided to allow the operator to perform the required operations safely. Poor or too strong lighting can cause risks.



Ensure that work places are always adequately ventilated and that respirators are working, in good condition and comply fully with the requirements of the current regulations.

### 4.3 Personal protective equipment



When operating and maintaining the unit, use the following personal protective equipment listed below as required by law.



Protective footwear.



Eye protection.



Protective gloves.



Respiratory protection.



Hearing protection.

## 4.4 Inspection

When installing or servicing the unit, it is necessary to strictly follow the rules reported on this manual, to conform to all the specifications of the labels on the unit, and to take any possible precautions of the case. Not observing the rules reported on this manual can create dangerous situations. After receiving the unit, immediately check its integrity. The unit left the factory in perfect conditions; any eventual damage must be questioned to the carrier and recorded on the Delivery Note before it is signed. The company must be informed, within 8 days, of the extent of the damage. The Customer should prepare a written statement of any severe damage.

Before accepting the unit check:

- The unit did not suffer any damage during transport;
- The delivered goods are conforming to what shown in the delivery note.

### In Case of Damage

- List the damage on the delivery note
- Inform the Company of the extent of the damage within 8 days of receipt of the goods. After this time any claim will not be considered.
- A full written report is required for cases of severe damage.

## 4.5 Storage

Units should be stored under cover and ideally, should remain in their packaging. The tools that are supplied for opening the electrics box should be formally transferred to the person responsible for the plant.

### 4.5.1 Shipment

The shipment must be carried out by authorised carriers and the characteristics of the vehicle used must be such as to avoid damaging the machinery transported/to be transported, neither during loading and unloading nor during transport. If the roads to be driven are irregular, the vehicle must be fitted with special suspensions or internal walls in order not to damage the unit during the shipment.



The maximum ambient temperature for storage/shipment is +45°C and the minimum is -20°C,

## 4.6 Unpacking



Packaging could be dangerous for the operators.

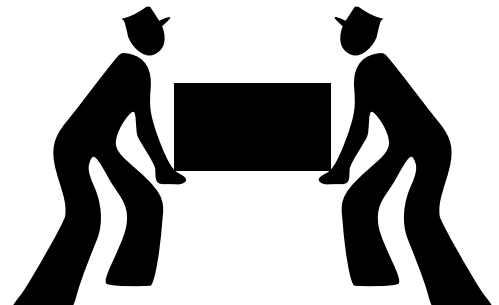
It is advisable to leave packaged units during handling and remove it before the installation. The packaging must be removed carefully to prevent any possible damage to the machine. The materials constituting the packaging may be different in nature (wood, cardboard, nylon, etc.).



The packaging materials should be separated and sent for disposal or possible recycling to specialist waste companies.

## 4.7 Lifting and handling

When unloading the unit, it is strongly recommended that sudden movements are avoided in order to protect the refrigerant circuit, copper tubes or any other unit component. Units can be lifted by using a forklift or, alternatively, using belts. Take care that the method of lifting does not damage the side panels or the cover. It is important to keep the unit horizontal at all time to avoid damage to the internal components.



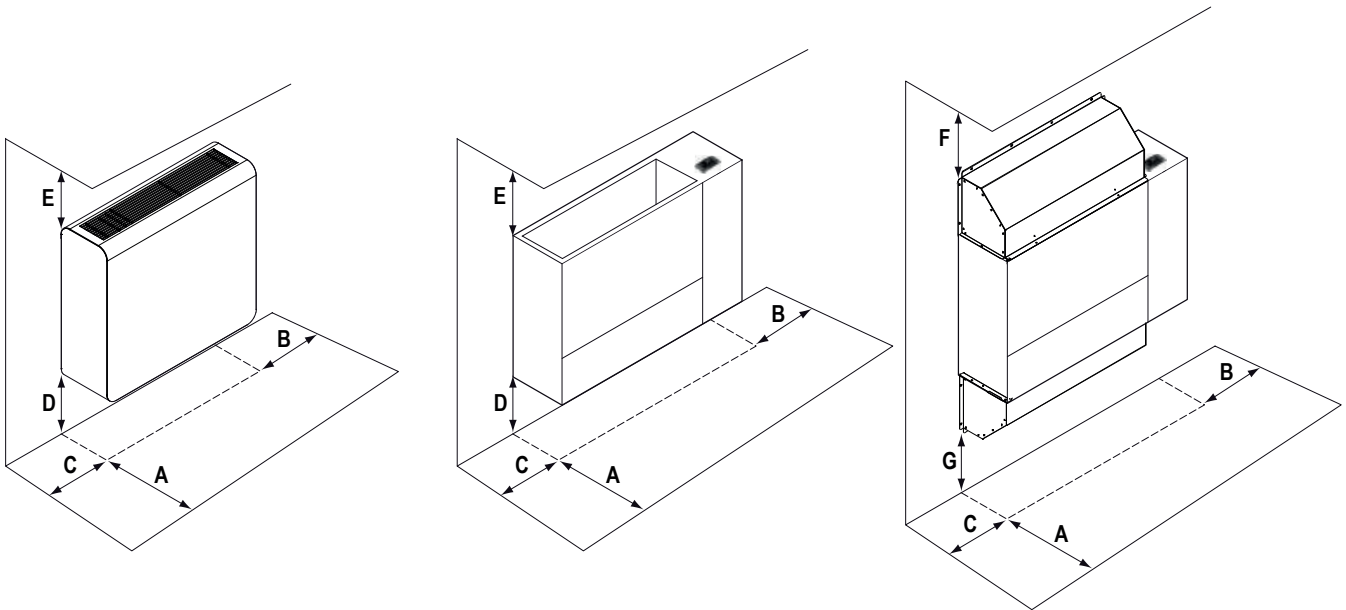
### 4.8 Location and minimum technical clearances



The unit has to be installed such that maintenance and repair is possible. The warranty does not cover costs for the provision of lifting apparatus, platforms or other lifting systems required to perform repairs during warranty period.



The installation site should be chosen in accordance with EN 378-1 and 378-3 standards. When choosing the installation site, all risks caused by accidental refrigerant leakage should be taken into consideration.



Mod.	A	B	C	D	E	F	G
<b>050</b>	1000	400	250	180	1500	150	150
<b>075</b>	1000	400	250	180	1500	150	150
<b>100</b>	1000	400	250	180	1500	150	150
<b>150</b>	1000	400	250	180	1500	150	150
<b>200</b>	1000	400	250	180	1500	150	150
<b>153</b>	1000	400	250	180	1500	150	150
<b>203</b>	1000	400	250	180	1500	150	150

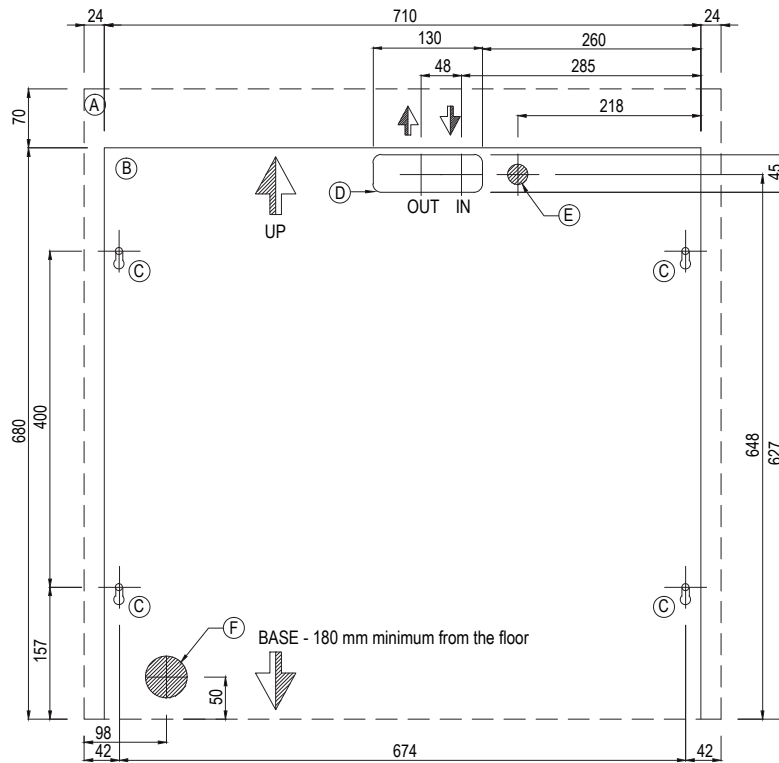


In the main european markets, the minimum distance of electric appliances from water sources (basins, showers, pools, whirlpools) is 2 meters! Before the installation of the unit it is compulsory to check the national or local norms.

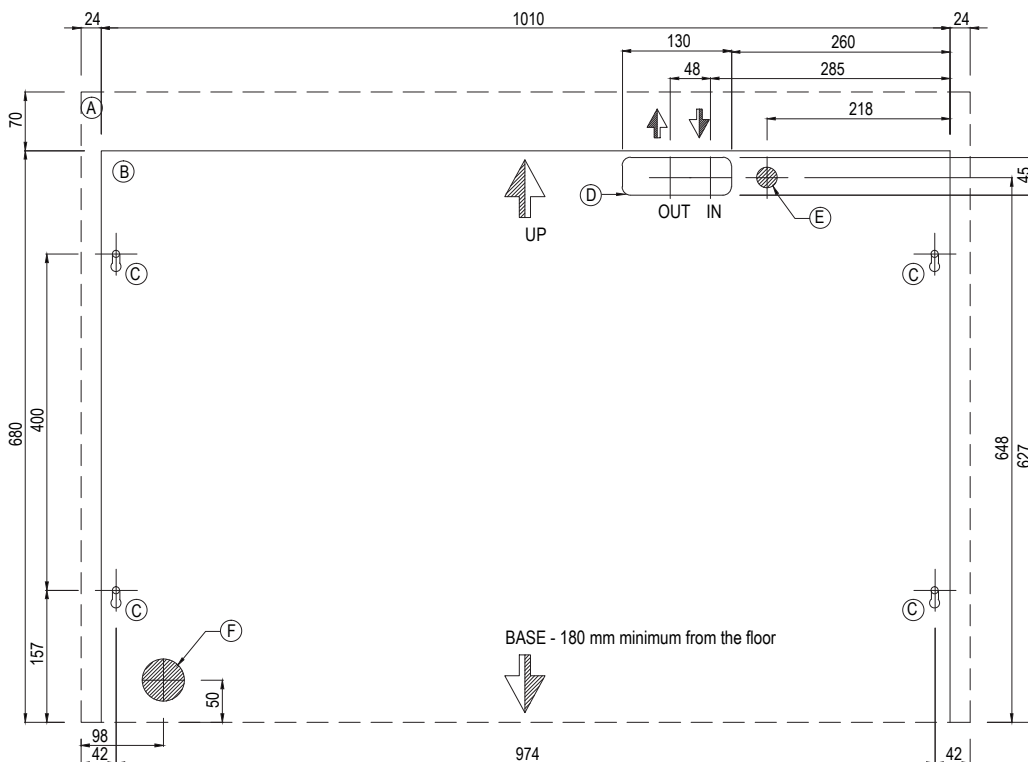
### 4.9 Unit installation

To install the units use M8 screws.

#### 4.9.1 Template DP-W and DP-R 50

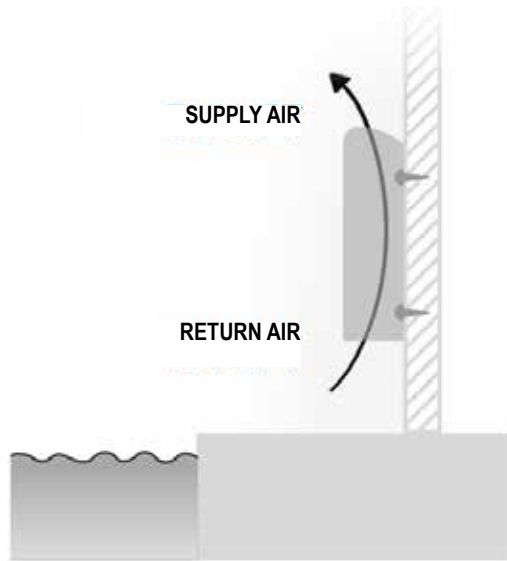


#### 4.9.2 Template DP-W and DP-R 75 - 100

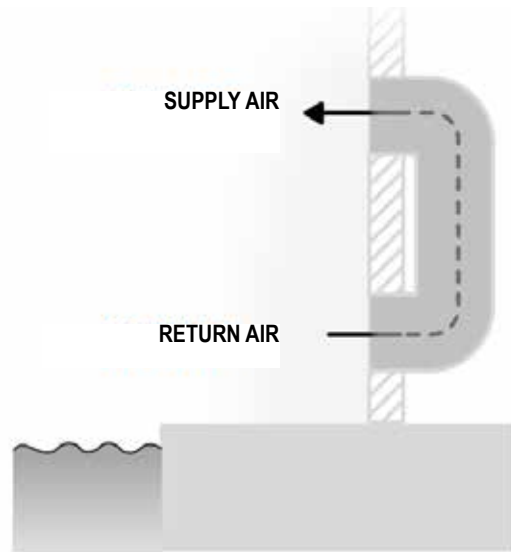




#### 4.10 Type of installation



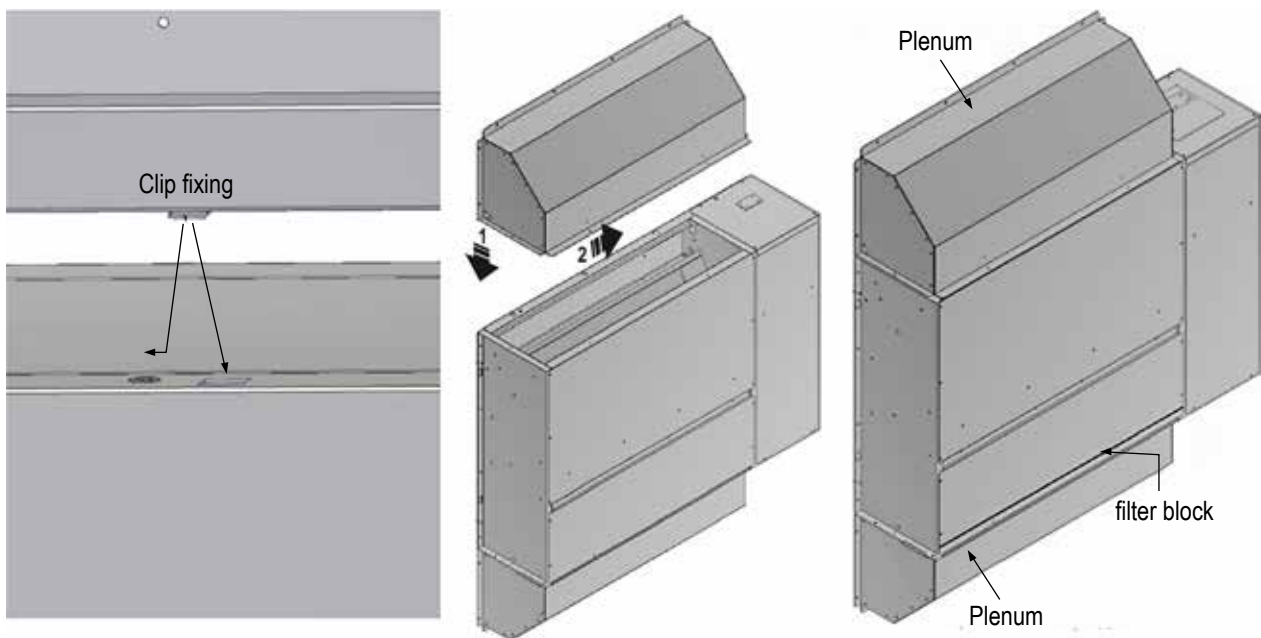
Typical installation version DP-W



Typical installation version DP-R with 90° supply and return plenum

#### 4.11 Installation of the 90° plenum (PMBH)

As shown in the previous image, the unit DP (version R) can be installed in a technical vane near the area to be dehumidified thanks to the 90° plenum. Here below there are two images which show how to fix the plenums to the unit et the unit with the plenum. The plenums must be fixed with screws with diameter 3,5 mm.



Unit with supply and discharge plenum. Both the unit and the plenum are arranged with some holes for the fastening screws, as showed in the picture.

Insert and shift the plenum towards right till alignment of the screw holes.

### 4.12 How to dismount the cabinet

To fix the unit to the wall and to connect the water pipes and the wiring diagram, it is necessary to remove the cabinet of the unit.



Pull the cabinet up.

Before removing completely the cabinet, disconnect the ground electric cable.

### 4.13 How to access to electronic control

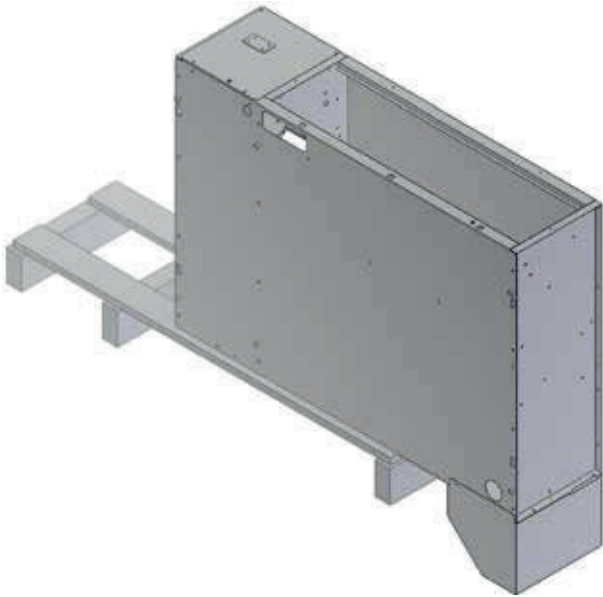
The electronic control is located underneath discharge grill, on the right side of the unit; this grill is fixed with magnetic strips to the unit cabinet.

Lift up the grill to access to the control panel.

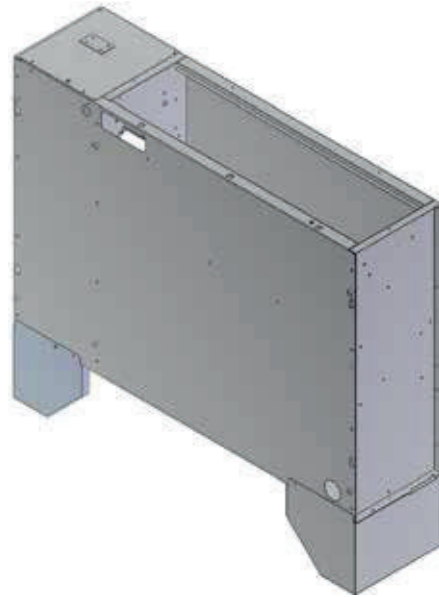


#### 4.14 How to mount the feet (Accessory) (ZOCC)

All DP units can be supplied with feet (option) to be directly mounted on the floor. This accessory is supplied spare, in a separate carton box.



Slide the unit out of the pallet and fix the first feet with the supplied screws.



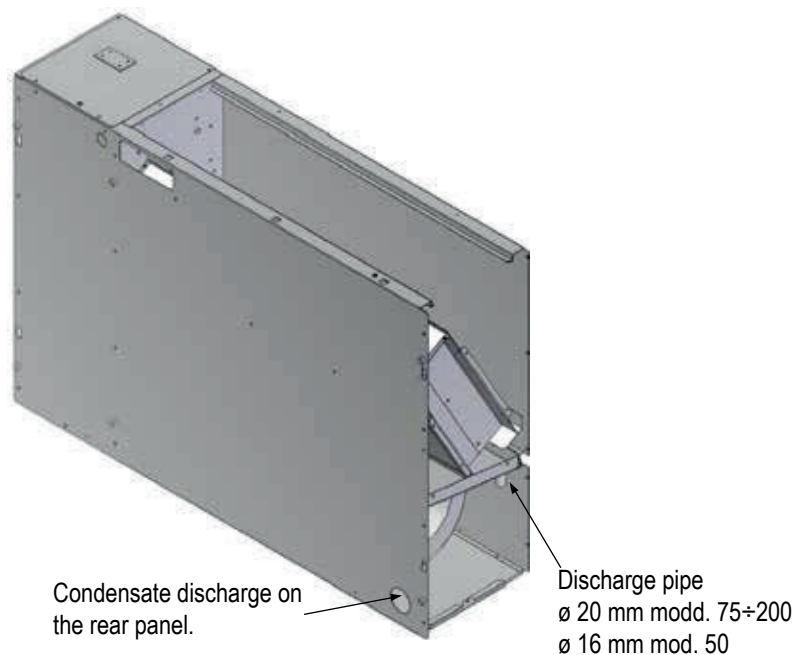
Remove the pallet and fix the second feet



The metallic feet (ZOCC) can't be installed if its installed the inlet plenum (PMBH).

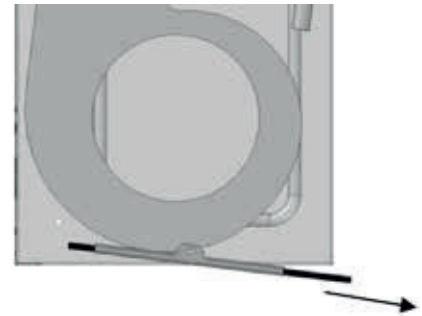
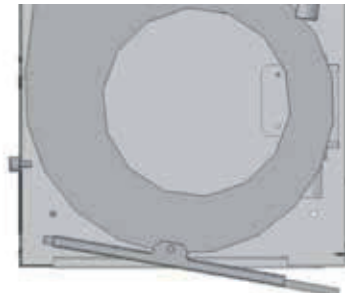
#### 4.15 Condensate draining connections

Condensate draining should be done using flexible rubber pipe (about 1mt. long, not supplied). The pipe will pass through the condensate drain hole located either on the rear panel of the unit or on the base frame. On the condensate discharge pipe it must be installed a syphon with a minimum height equal to the suction pressure of the fan.



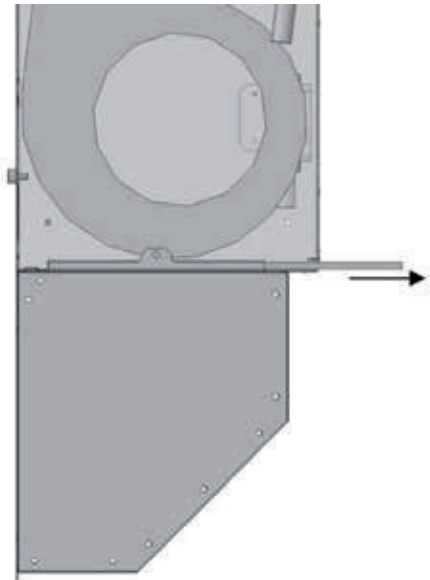
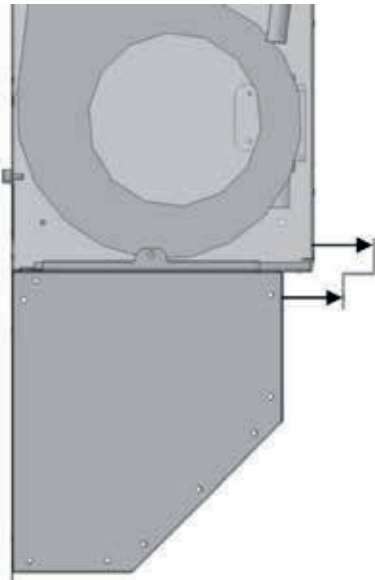
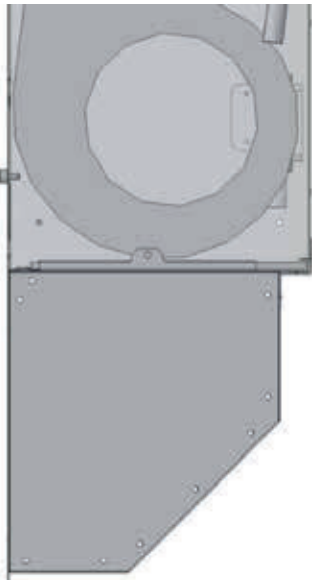
### 4.16 How to remove filters

The air filter is positioned on the inferior part of the unit to be removed both from the unit with cabinet and from the unit without cabinet. You need to flow the filter towards left (towards the wall where the unit is fixed) as showed in the picture below. Afterwards it has to be inclined forward and removed.



How to remove the filter from A/P units. Turn the filter holder as shown. Remove the filter.

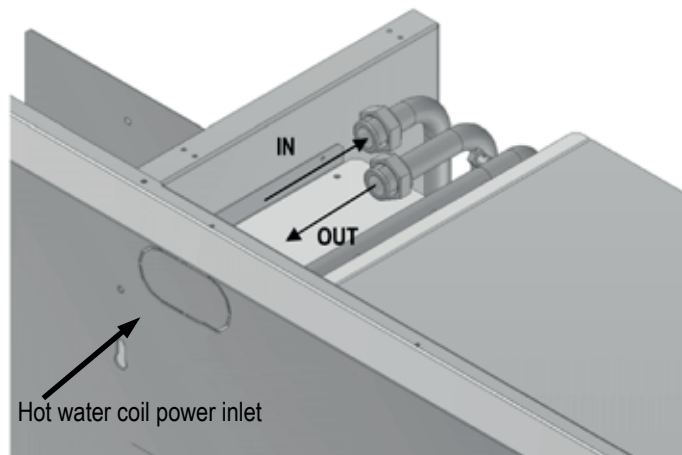
#### 4.14.1 How to remove the air filter in the units supplied with 90° return plenum



How to remove the filter from units with plenum. Remove the bracket that locks the filter. Remove the filter.

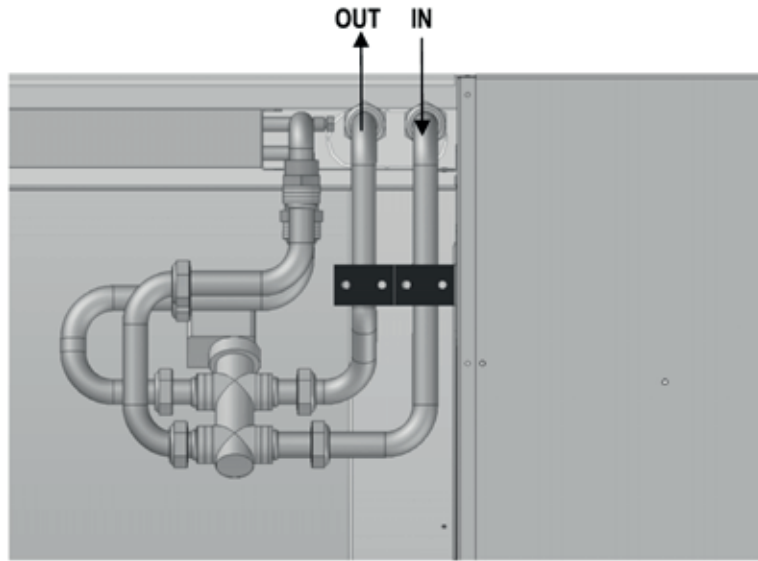
### 4.17 How to connect the hot water coil (HOWA) (Accessory)

To install the hot water coil it is necessary to remove the pre-knock out holes on the back panel of the unit; fix the water coil connections to the hot water coil. The hot water coil connections are 1/2" diameter for models 75-100 and 3/4" for models 150-200.



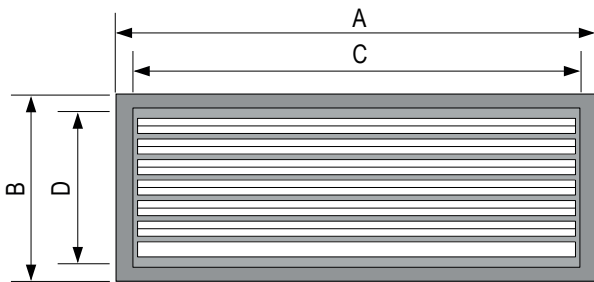
### 4.18 3 Way modulating valve (KIVM) (Accessory)

The on/off 3 way valve is installed directly in factory as showed in the picture on the right. It is controlled directly by the board.



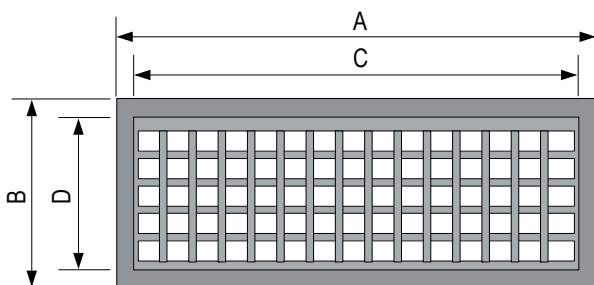
### 4.19 Grille kit and case for ducted version (KGBH)

#### 4.19.1 Return air grille



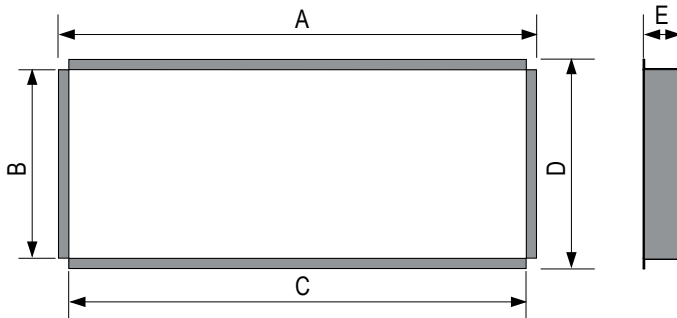
Mod.	A	B	C	D
50	452	248	420	215
75 - 100	753	253	720	220
150 - 153	957	253	918	220
200 - 203	957	253	918	220

#### 4.19.2 Supply air grille



Mod.	A	B	C	D
50	452	248	420	215
75 - 100	753	253	720	220
150 - 153	957	253	918	220
200 - 203	957	253	918	220

#### 4.19.3 Case



Mod.	A	B	C	D	E
50	455	215	420	238	44
75 - 100	744	220	720	244	44
150 - 153	945	220	918	244	44
200-203	945	220	918	244	44

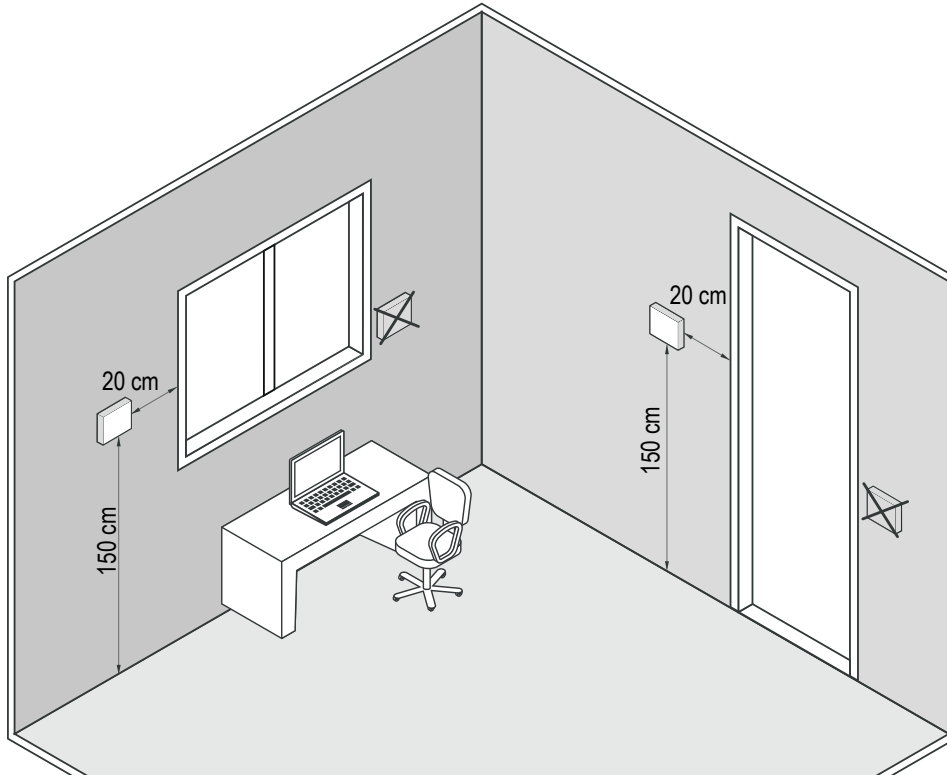
### 4.20 Accessory installation HYGR



If humidistat or thermohygrostate is used, make sure that it can guarantee a correct reading of humidity and temperature in the environment and that this reading is similar to that in suction side. Under no circumstances can the sensor be placed in an ambient different from the unit's suction, nor can it be installed in areas where air flow is hampered.



To ensure a proper reading of temperature and humidity make sure that the device is not near hot or cold air flows or behind curtains or other obstacles.

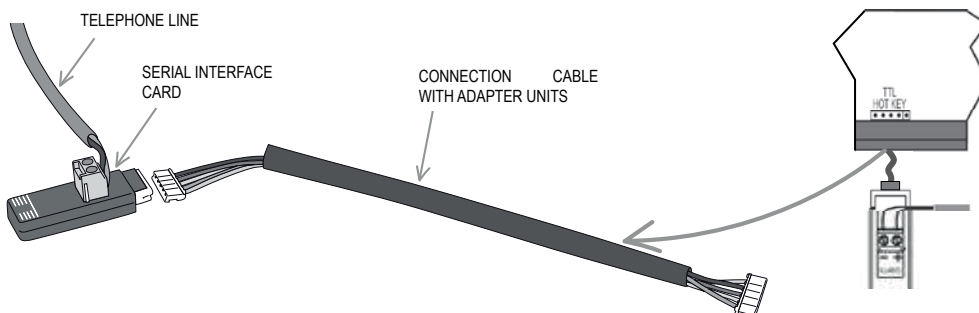


### 4.21 Serial interface card RS485 (INSE)

Supervision system interface serial board (MODBUS RS485 available only) The installation of the card will allow the unit to be plugged in and connected to a system with MODBUS protocol. This system allows you to remotely monitor all parameters of the unit and change their values. The serial interface board is normally fitted at the factory, where it is provided separately is necessary to respect the polarity of the wiring as shown in the diagram. Any reversal of polarity will result in the non-functioning unit.

The supervision connectivity cable must be telephone one type 2x0, 25 mm<sup>2</sup>.

The unit is configured at the factory with serial address 1. In case of using the MODBUS system, you can request the list of variables by contacting the assistance.



## 4.22 Electric connections: preliminary safety information

The electric panel is located inside the unit at the top of the technical compartment where the various components of the refrigerant circuit are also to be found. To access the electrical board, remove the front panel of the unit:



Power connections must be made in accordance to the wiring diagram enclosed with the unit and in accordance to the norms in force.



Make sure the power supply upstream of the unit is (blocked with a switch). Check that the main switch handle is padlocked and it is applied on the handle a visible sign of warning not to operate.



It must be verified that electric supply is corresponding to the unit electric nominal data (tension, phases, frequency) reported on the label in the front panel of the unit.



Power cable and line protection must be sized according to the specification reported on the form of the wiring diagram enclosed with the unit.



The cable section must be commensurate with the calibration of the system-side protection and must take into account all the factors that may influence (temperature, type of insulation, length, etc.).



Power supply must respect the reported tolerances and limits: If those tolerances should not be respected, the warranty will be invalidated.



Flow switches must be connected following the indication reported in the wiring diagram. Never bridge flow switches connections in the terminal board. Guarantee will be invalidated if connections are altered or not properly made.



Make all connections to ground provided by law and legislation.



Before any service operation on the unit, be sure that the electric supply is disconnected.



The power line and the unit external safety devices must be sized in order to ensure the correct voltage at the maximum operating conditions of the unit reported in the wiring diagram of the unit.



### FROST PROTECTION

If opened, the main switch cuts the power off to any electric heater and antifreeze device supplied with the unit, including the compressor crankcase heaters. The main switch should only be disconnected for cleaning, maintenance or unit repair.

### 4.23 Electrical data



The electrical data reported below refer to the standard unit without accessories.  
In all other cases refer to the data reported in the attached electrical wiring diagrams.



The line voltage fluctuations can not be more than  $\pm 10\%$  of the nominal value, while the voltage unbalance between one phase and another can not exceed 1%, according to EN60204. If those tolerances should not be respected, please contact our Company.

Model		50	75	100	150	200	153	203
<b>Power supply</b>	V/~/Hz	230/1/50	230/1/50	230/1/50	230/1/50	230/1/50	400/3+N/50	400/3+N/50
<b>Control board</b>	V	24 V	24 V	24 V	24 V	24 V	24 V	24 V
<b>Auxiliary circuit</b>	V/~/Hz	230/1/50	230/1/50	230/1/50	230/1/50	230/1/50	230/1/50	230/1/50
<b>Fans power supply</b>	V/~/Hz	230/1/50	230/1/50	230/1/50	230/1/50	230/1/50	230/1/50	230/1/50
<b>Line section</b>	mm <sup>2</sup>	1,5	1,5	1,5	4	4	4	4
<b>PE section</b>	mm <sup>2</sup>	1,5	1,5	1,5	4	4	4	4
<b>Line section<sup>(1)</sup></b>	mm <sup>2</sup>	4	6	6	16	16	16	16
<b>PE section<sup>(1)</sup></b>	mm <sup>2</sup>	4	6	6	16	16	16	16

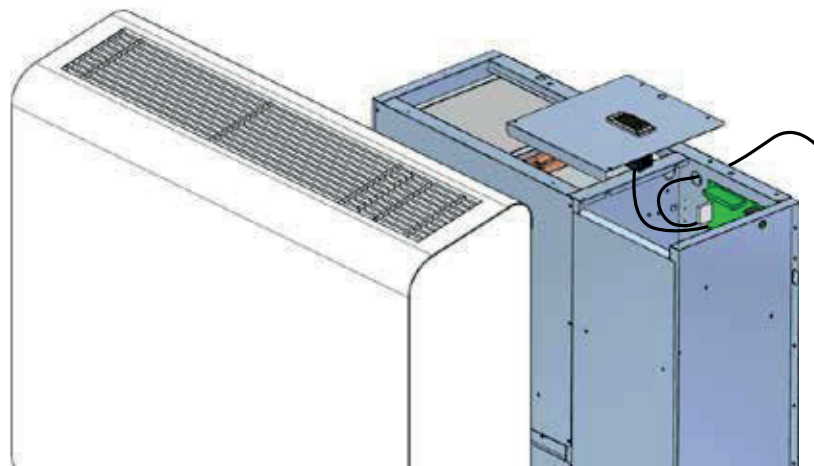
(1) The data refer to the unit with electric heaters (HOEL)



Electric data may change for updating without notice. It is therefore necessary to refer always to the wiring diagram present in the units.

### 4.24 How to connect the power supply

Remove the cabinet; use the appropriate conduit present in the electric panel to connect the power cable directly to the main switch.



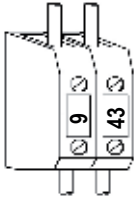
## 4.25 Electric connections



The numbering of the terminals may change without notice. For their connection is mandatory to refer to the wiring diagram supplied along with the unit.

### 4.25.1 Remote wiring connections (compulsory)

All terminals referred to in the explanations below will be found on the terminal board inside the electrical box. All electric connections mentioned below have to be made by the installer, on site.



#### REMOTE ON / OFF

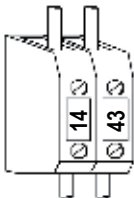
To switch the unit on or off from remote control.

Contacts are voltage free.

Le unità sono fornite di serie dalla fabbrica con morsetti ponticellati.

Contact closed, unit ON,

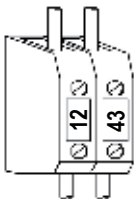
Contact open, unit OFF.



#### ROOM HYGROSTAT (UA)

Contact UA open: unit off.

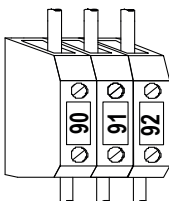
Contact UA closed: unit in operation.



#### ROOM THERMOSTAT (TA)

Contact UA open: electric heater or 3 way valve switched off.

Contact UA closed: electric heater or 3 way valve switched on.



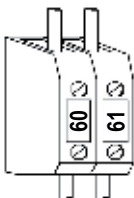
#### REMOTE GENERAL ALARM

For remote display of a general alarm, connect the visual or audible device between terminals 90-91-92.

Contacts 90/91 NC (Normally closed)

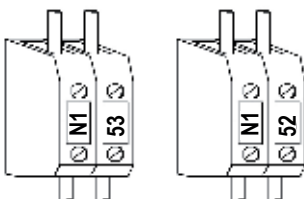
Contacts 91/92 NO (Normally opened)

### 4.25.2 Remote wiring connections (optional)



#### REMOTE CONTROL PANEL

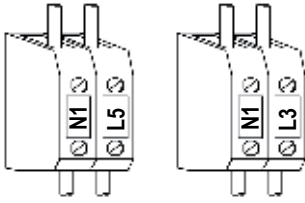
The remote control panel replicates all of the functions on the main controller panel and can be connected up to a maximum distance of 50 meters from the unit. The panel has to be connected to the unit by 2 wires having diameter 0.75 mm<sup>2</sup>. The power supply cables must be separated from the remote control panel wires, in order to avoid interference. The control panel has to be connected to the terminals 60 and 61. The control panel cannot be installed in an area subject to excessive vibration, corrosive gases, is a dirty environment or has a high humidity level. The ventilation openings must not be blocked.



#### ELECTRIC HEATERS (Models 50 - 75 - 100)

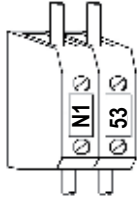
Heater 1, connected to the terminals N1-53

Heater 2, connected to the terminals N1-52



**ELECTRIC HEATERS (Models 150 - 200)**

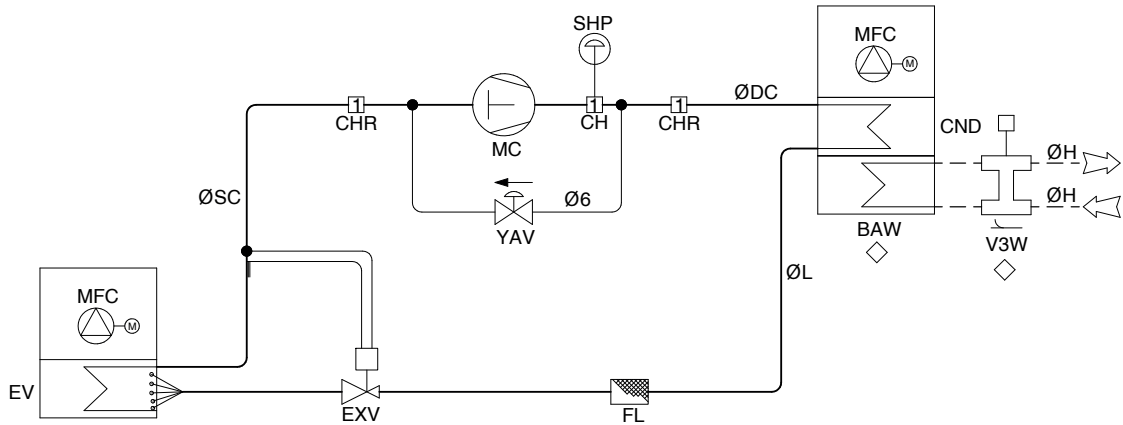
Heater 1, connected to the terminals N1-L5  
 Heater 2, connected to the terminals N1-L3



**WATER VALVE**

Connected to the terminals N1-53.

**4.26 Basic refrigerant circuit layout**



<b>BAW</b>	Water coil	<b>MC</b>	Compressor
<b>CH</b>	Charging plug 1/4 sae	<b>MFC</b>	Centrifugal fan
<b>CHR</b>	Charging plug 5/16 sae	<b>SHP</b>	High pressure pressostat
<b>CND</b>	Condenser	<b>V3W</b>	3-Way water valve
<b>EV</b>	Evaporator	<b>VMA</b>	Water modulating valve
<b>EXV</b>	Thermostatic valve	<b>YAV</b>	Starter by-pass solenoid valve
<b>FL</b>	Liquid line filter		



The cooling circuit principle diagram is purely indicative.

## 5. UNIT START UP

### 5.1 Preliminary checks

Before starting the unit the checks detailed in this manual of the electric supply and connections, the hydraulic system and the refrigerant circuit, should be performed.



Start-up operations must be performed in accordance with the instructions detailed in the previous paragraphs.

#### 5.1.1 Before start-up



Damage can occur during shipment or installation. It is recommended that a detailed check is made, before the installation of the unit, for possible refrigerant leakages caused by breakage of capillaries, pressure switch connections, tampering of the refrigerant pipework, vibration during transport or general abuse suffered by the unit.

- Verify that the unit is installed in a workmanlike manner and in accordance with the guidelines in this manual.
- Check that all power cables are properly connected and all terminals are correctly fixed.
- The operating voltage the one shown on the unit labels.
- Check that the unit is connected to the system earth.
- Check that there is no refrigerant leakage.
- Check for oil stains, sign of a possible leak.
- Check that the refrigerant circuit shows the correct standing pressure on the pressure gauges (if present) otherwise use external ones.
- Check that the Schrader port caps are the correct type and are tightly closed.
- Check that crankcase heaters are powered correctly (if present).
- Check that all water connections are properly installed and all indications on unit labels are observed.
- The system must be flushed, filled and vented in order to eliminate any air.
- Check that the water temperatures are within the operation limits reported in the manual.
- Before start up check that all panels are replaced in the proper position and locked with fastening screws.



Do not modify internal wiring of the unit as this will immediately invalidate the warranty.

## 5.2 Description of the control panel



### 5.2.1 Display icons

The instrument display is divided into three zones:

**Left Zone:** the display shows the icons,

**Top right zone:** the display shows room temperature.

**Bottom right zone:** the display shows room humidity.

Icon	Meaning	Icon	Meaning
	Not used.		Not used.
	Compressors 1 and 2.	<b>LP</b>	Not used.
	Dehumidification.	<b>HP</b>	High Pressure.
	Not used.		General Alarm.
	Unit fan.	<b>Vset</b>	Not used.
	On if the unit is turned on.	<b>menu</b>	Function menu active.
	Electric heater or water valve activated.	<b>Flow!</b>	Not used.

### 5.2.2 Key function



**M Press and release:** makes it possible to enter the functions menu.



**SET Press and release in the main display:**

makes it possible to display the set points;

Humidity set, in the bottom line will appear the label **SETI**.

Temperature set, in the bottom line will appear the label **SETH**.

**Press for 3 seconds and release in the main display:**

makes it possible to modify the set points;



In standard mode, with electronic sensor installed, allows the display of the following icons:

1 click: The bottom line displays **Tamb**: room temperature.

2 clicks: The bottom line displays **rH**: room humidity.

In standard mode with mechanical thermostat/hygrostat, allows the display of the following icons:

the top line displays the label **TOn** (room temperature request) or **TOff** (room temperature in set).

the bottom line displays the label **UOn** (room humidity request) or **UOff** (room humidity in set).

In programming mode it allows the user to scroll through parameter codes or to change values.



In standard mode allows the display of the different temperatures in opposite way of the above arrow.

In programming mode allows to scroll through the parameter codes or increases the values



If pressed down for 5 seconds, it makes it possible to switch the unit on or off.

### 5.3 Remote control panel



#### 5.3.1 Display icons

The instrument display is divided into three zones:

**Left Zone:** the display shows the icons,

**Top right zone:** the display shows ambient temperature.

**Bottom right zone:** the display shows ambient humidity.

Icon	Meaning	Icon	Meaning
	Not used.		Not used.
	Compressors 1 and 2.	<b>LP</b>	Not used.
	Dehumidification.	<b>HP</b>	High Pressure.
	Not used.		General Alarm.
	Unit fan.	<b>Vset</b>	Not used.
	On if the unit is turned on.	<b>menu</b>	Function menu active.
	Electric heater or water valve activated.	<b>Flow!</b>	Not used.

#### 5.3.2 Key functions



**M Press and release:** makes it possible to enter the functions menu



**SET Press and release in the main display:**

makes it possible to display the set points;

Humidity set, in the bottom line will appear the label **SETI**.

Temperature set, in the bottom line will appear the label **SETH**.

**Press for 3 seconds and release in the main display:**

makes it possible to modify the set points;

In standard mode, with electronic sensor installed, allows the display of the following icons:



- 1 click: The bottom line displays **Tamb**: room temperature.
- 2 clicks: The bottom line displays **rH**: room humidity.

In standard mode with mechanical thermostat/hygrostat, allows the display of the following icons:  
 the top line displays the label **TON** (room temperature request) or **TOff** (room temperature in set).  
 the bottom line displays the label **UOn** (room humidity request) or **UOff** (room humidity in set).

In programming mode it allows the user to scroll through parameter codes or to change values.



In standard mode allows the display of the different temperatures in opposite way of the above arrow.  
 In programming mode allows to scroll through the parameter codes or increases the values

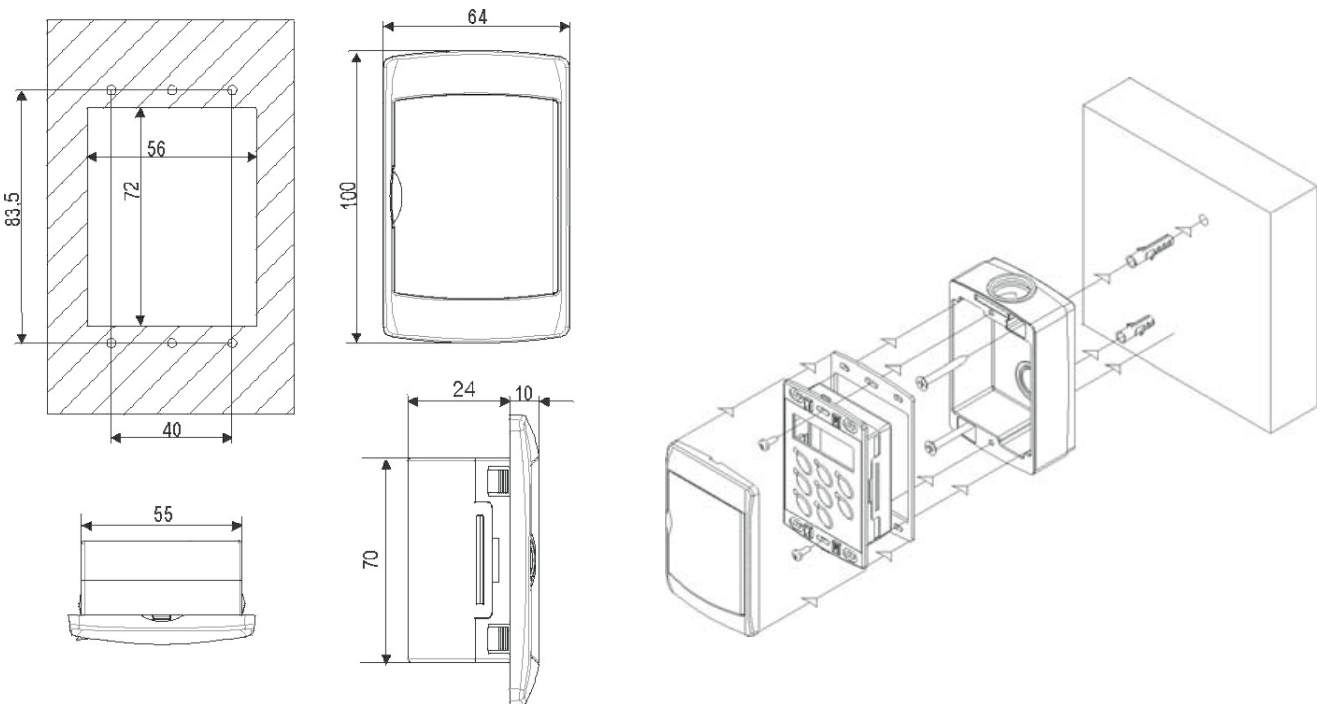


If pressed down for 5 seconds, it makes it possible to switch the unit on or off.

### 5.3.3 Installation

The remote control panel is mounted on a panel with 72x56 mm cut-out, fixed with screw.

To obtain IP65 protection for the panel, use the rubber gasket RGW-V (optional). For wall mounting use the V-KIT plastic adapter as illustrated in the picture.



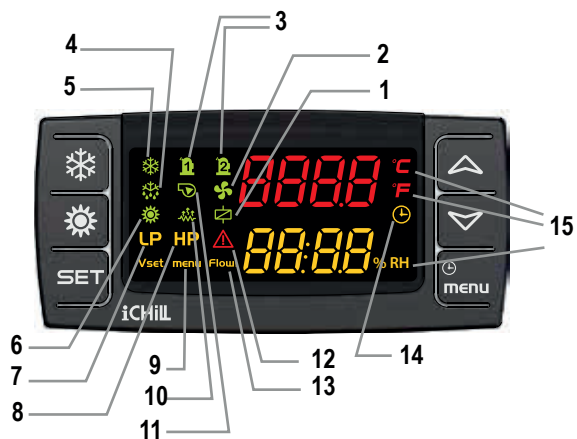
Electric data can be updated without notice. It is therefore necessary to always refer to the wiring diagram provided in the unit.



If there is damage to the remote control or there is a faulty connection, failure of communication will be indicated in the display with the message "noL" (no link).

## 6. USE

### 6.1 Switch the unit on



#### Legend

1	Not used.	9	Icon ON: function menu active.
2	Icon ON: if fans are running.	10	Icon ON: Electric heater or water valve activated.
3	Icon ON: if the compressor is turned on; Icon blinking: if the compressor is the ignition timing.	11	Not used.
4	Icon ON: Dehumidification cycle activated.	12	Icon blinking on alarm.
5	Not used.	13	Not used.
6	Icon ON: the unit is on.	14	Counter between two defrost cycles.
7	Not used.	15	Icon ON: the display shows the room temperature or humidity.
8	Icon blinking: high pressure alarm is active.		

In order to power the unit, turn the main switch to the ON position.

a. In case of electronic sensor the display shows room temperature (in the top line) e room humidity (in the bottom line).

b. In case of remote mechanical thermostat/hygrostat the display shows tOFF/UOFF (temperature/humidity off, unit in set) or tOn/UOn (temperature/humidity on, unit running).



Push 5 seconds the key  to start the unit.

### 6.1.2 Display during operation

Defrost

Unit equipped with electronic sensor



Defrost

Unit equipped with mechanical thermostat/hygrostat



Unit in drip time after defrost

Unit equipped with electronic sensor




Unit in drip time after defrost

Unit equipped with mechanical thermostat/hygrostat



## 6.2 Stop

to stop the unit press the key  for 5 seconds. The unit goes into stand-by mode.

## 6.3 Stand-by

When the unit is switched off from keyboard or remote control panel, it goes into stand-by mode. In this mode the microprocessor control displays the sensor readings and is also able to manage alarm situations. The only visible labels on the display are the temperature and the humidity (in case of unit equipped with electronic sensor), or OFF (in case of unit equipped with mechanical thermostat/hygrostat). In case the unit is switch off from the remote ON/OFF contact, the display shows OFF.

Display in stand-by mode.



Display in OFF from remote contact.



## 6.4 How to change the set points







When modifying or varying the machine's operating parameters, make sure that you do not create situations that conflict with the other set parameters.

Select the required set point pressing the  key. The label appears at the bottom of the display:

**SEtI** Room humidity set point;

**SEtH** Room temperature set point. Visible on the display only with the presence of HWC (Hot Water Coil) or electric heater fitted in the unit.

To set the required set-points press again the  for 3 seconds. The current value flashes at the top and can be modified using the  ,  keys we can modify the parameter. Then press the  key to memorise the parameter and exit.



All set points are intended as room conditions.

### 6.4.1 Adjustable parameters

The adjustable set points that can be modified by the end user are:

Label	Function	Adjustment limit	Default value
<b>SEt I</b>	Room humidity set point	40÷90%	50%
<b>SEt H</b>	Room temperature set point	18÷30°C	26°C
<b>PAS</b>	Password	(Contact the Company)	



The units are supplied with a very sophisticated control system with many other parameters that are not adjustable by the end user; these parameters are protected by a manufacturer password.

## 6.5 Acoustic signal silencing

Pressing and releasing one of the keys; the buzzer is switched off, even if the alarm condition remains in place.

## 6.6 Display during alarm



In case of alarm the display shows:

- + alarm code in the bottom line, (the bottom line of the display shows the alarm code in alternatively to the standard label).

## 6.7 Alarm reset

Press the key (the menu **AlrM** appears at the bottom right of the display). Press the key to display the alarm event.

In case of multiple alarms, use the , keys to scroll the list of the active alarms.

There are two types of alarms:

### Reset alarms:

**RST** label appears on the upper part of the display. In this case press the key to reset.

### Non reset alarms:

The **nO** label appears on the upper part of the display. In this case the alarm is permanent; contact the Company.

## 7. MAINTENANCE OF THE UNIT

### 7.1 General warnings



Starting from 01/01/2016 the new European Regulation 517\_2014, "Obligations concerning the containment, use, recovery and destruction of fluorinated greenhouse gases used in stationary refrigeration, air conditioning and heat pumps", became effective. This unit is subject to the following regulatory obligations, which have to be fulfilled by all owners, operators and technical staff:

- (a) Keeping the equipment records
- (b) Correct installation, maintenance and repair of equipment
- (c) Leakage control
- (d) Refrigerant recovery and disposal management
- (e) Presentation to the Ministry of the Environment of the annual declaration concerning the atmospheric emissions of fluorinated greenhouse gases.

Maintenance can:

- Keep the equipment operating efficiently
- Prevent failures
- Increase the equipment life



It is advisable to maintain a record book for the unit which details all operations performed on the unit as this will facilitate troubleshooting.



Maintenance must be performed in compliance with all requirements of the previous paragraphs.



Use personal protective equipment required by regulations as compressor casings and discharge pipes are at high temperatures. Coil fins are sharp and present a cutting hazard.



If the unit is not to be used during the winter period, the water contained in the pipes may freeze and cause serious damage. In this event, fully drain the water from the pipes, checking that all parts of the circuit are empty including any internal or external traps and siphons.



If it is necessary to replace a component of the machine, both for ordinary and extraordinary maintenance, this component must have the same or higher characteristics than those present. The same or higher performances or thicknesses are meant for the characteristics, which do not compromise the safety, the use, the handling, the storage, the pressures and the temperatures of use of the machine provided by the manufacturer.



The taps in the machine must always be in open position before starting. If it is necessary to disconnect the refrigeration circuit by closing the taps, it is necessary to take precautions to prevent the unit from starting up, even accidentally, and to indicate that the taps have been properly closed with special signs, both on the tap and in the electrical panel. In any case, the taps must remain closed as less as possible.

### 7.2 Drive access

Access to the unit once installed, should only be possible to authorized operators and technicians. The owner of the equipment is the company legal representative, entity or person owns the property where the machine is installed. They are fully responsible for all safety rules given in this manual and regulations.

### 7.3 Scheduled maintenance

The owner must make sure that the unit is periodically inspected, also on-site, adequately maintained, according to the type, size, age and use of the system, and to the indications contained in the Manual.

Servicing during the unit's operating lifetime and, in particular, scheduled leak detection, on-site inspections and check-ups of safety equipment, must be carried out as provided by local laws and regulations in force.



If leak detection instruments are installed on the system, they must be inspected at least once a year, to make sure that they work properly.

During its operating life, the unit shall be inspected and verified in accordance with applicable local laws and regulations. In particular, when there are no stricter specifications, the indications given in the following table (see EN 378-4, Annex D) must be followed, with reference to the situations described.

CASE	Visual Inspection	Pressure Test	Search for leaks
<b>A</b>	X	X	X
<b>B</b>	X	X	X
<b>C</b>	X		X
<b>D</b>	X		X

<b>A</b>	Inspection after an intervention with possible effects on the mechanical strength or after use change or in case the machine has not being working for more than two years. Replace all the components which are not suitable any more. Do not carry out checks at a higher pressure than the one indicated in the project.
<b>B</b>	Inspection after a repair, or significant adjustment of the system, or its components. The check may be limited to the interested parts, but if a leakage of refrigerant is detected, a leakage search must be carried out on the entire system.
<b>C</b>	Inspection after installation in a different position than the original one. Refer to point A when mechanical strength could have been affected by the change.
<b>D</b>	Leak search, following a well-founded suspicion of refrigerant leakage. It is recommended examined the system for leakage, either directly (use of leak detection systems) or indirectly (deduction of leakage based on analysis of operating parameters), focusing on the parts most prone to leakage (e.g. joints).



If a defect is detected that compromises the reliable operation of the unit, the unit cannot be re-started until it has been repaired.

### 7.3 Periodical checks



The start-up operations should be performed in compliance with all requirements of the previous paragraphs.



All of the operations described in this chapter **MUST BE PERFORMED BY TRAINED PERSONNEL ONLY**. Before commencing service work on the unit ensure that the electric supply is disconnected. The top case and discharge line of compressor are usually at high temperature. Care must be taken when working in their surroundings. Aluminium coil fins are very sharp and can cause serious wounds. Care must be taken when working in their surroundings. After servicing, replace the cover panels, fixing them with locking screws.

### 7.4.1 Electrical system and adjustment

Action to be performed	Frequency					
	Monthly	Every 2 months	Every 6 months	Every year	Every 5 years	As necessary
Check that the unit works properly and that there are no active warnings	X					
Visually inspect the unit	X					
Check noise and vibration level of the unit				X		
Check operation of safety features and of interlocks				X		
Check the unit's performance				X		
Check the current draws of the different parts (compressors, fans, pumps, etc.)				X		
Check the supply voltage of the unit			X			
Check tightness of cables in their clamps			X			
Check the integrity of the insulating coating of power cables				X		
Check the conditions and functioning of the counters				X		
Check functioning of the microprocessor and of the display			X			
Clean the electrical and electronic components of any dust				X		
Check functioning and calibration of probes and transducers				X		

### 7.4.2 Condensing coils and fans

Action to be performed	Frequency					
	Monthly	Every 2 months	Every 6 months	Every year	Every 5 years	As necessary
Visually inspect the coil	X					
Clean finned coils			X			
Check the water flow and/or any leaks (if HOWA is present)	X					
Clean the metal filter on the external water line <sup>(2)</sup> (if present)			X			
Check noise and vibration level of the fans				X		
Check the supply voltage of the fans			X			
Check the fans' electrical connections				X		
Check functioning and calibration of the fans' speed adjustment system (if present)				X		
Check air presence in the hydraulic circuit	X					
Check color of moisture indicator on liquid line				X		
Check for freon leaks <sup>(1)</sup>						X



<sup>(1)</sup> In order to carry out operations on the refrigerant, it is necessary to observe the European Regulation 517\_2014, "Obligations regarding the containment, use, recovery and destruction of fluorinated greenhouse gases used in stationary refrigeration, air conditioning and heat pump equipment".



<sup>(2)</sup> It can be carried out with a higher frequency (also weekly) depending on the  $\Delta t$ .

### 7.4.3 Compressors

Action to be performed	Frequency					
	Monthly	Every 2 months	Every 6 months	Every year	Every 5 years	As necessary
Visually inspect compressors				X		
Check noise and vibration level of the compressors				X		
Check the supply voltage of the compressors			X			
Check the compressors' electrical connections				X		
Check oil level in the compressors using the oil fill level indicator (if present)			X			
Check that the crankcase heaters are powered and working properly (if present)				X		
Check the conditions of the compressors' power cables and their tightness in the clamps			X			



Daily and monthly works may be carried out directly by the Owner of the system. All other works must be performed by authorised and trained personnel.



Any kind of cleaning whatsoever is forbidden before disconnecting the device from power supply by turning the master switch to the OFF position. It is forbidden to touch the device while barefooted or with wet or damp body parts.



Works on the cooling line must be carried out by qualified and trained technicians, as provided by local laws and regulations in force.



Before the start-up it is necessary to carry out all the operations described in the previous tables and make the necessary checks provided by the pre-start control module (valid for the Italian market) to be requested to the service.

### 7.4 Refrigerant circuit repair



If the refrigerant circuit is to be emptied, all the refrigerant must be recovered using the correct equipment.

For leak detection, the system should be charged with nitrogen using a gas bottle with a pressure reducing valve, until 15 bar pressure is reached. Any leakage is detected using a bubble leak finder. If bubbles appear discharge the nitrogen from the circuit before brazing using the proper alloys.



Never use oxygen instead of nitrogen: explosions may occur.

Site assembled refrigerant circuits must be assembled and maintained carefully, in order to prevent malfunctions.

Therefore:

- Avoid oil replenishment with products that are different from that specified and that are pre-loaded into the compressor.
- In the event of a gas leakage on machines using refrigerant R134A, R410A even if it is only a partial leak, do not top up. The entire charge must be recovered, the leak repaired and a new refrigerant charge weighed in to the circuit.
- When replacing any part of the refrigerant circuit, do not leave it exposed for more than 15 minutes.
- It is important when replacing a compressor that the task be completed within the time specified above after removing the rubber sealing caps.
- When replacing the compressor following a burn out, it is advisable to wash the cooling system with appropriate products including a filter for acid.
- When under vacuum do not switch on the compressor.

## 8. DECOMMISSIONING

### 8.1 Disconnect the unit



All decommissioning operations must be performed by authorized personnel in accordance with the national legislation in force in the country where the unit is located.

- Avoid spills or leaks into the environment.
- Before disconnecting the machine please recover:
  - the refrigerant gas;
  - Glycol mixture in the hydraulic circuit;
  - the compressor lubricating oil.

Before decommissioning the machine can be stored outdoors, providing that it has the electrical box, refrigerant circuit and hydraulic circuit intact and closed.

### 8.2 Disposal, recovery and recycling

The frame and components, if unusable, should be taken apart and sorted by type, especially copper and aluminum that are present in large quantities in the machine.

All materials must be recovered or disposed in accordance with national regulations.



The refrigerant circuit of the unit contains lubricant oil that binds the disposal mode of components .

### 8.3 RAEE Directive (only UE)



The crossed-out bin symbol on the label indicates that the product complies with regulations on waste electrical and electronic equipment.  
The abandonment of the equipment in the environment or its illegal disposal is punishable by law.

This product is included in the application of Directive 2012/19/EU on the management of waste electrical and electronic equipment (WEEE).

The unit should not be treated with household waste as it is made of different materials that can be recycled at the appropriate facilities. Inform through the municipal authority about the location of the ecological platforms that can receive the product for disposal and its subsequent proper recycling.

The product is not potentially dangerous for human health and the environment, as it does not contain dangerous substances as per Directive 2011/65/EU (RoHS), but if abandoned in the environment it has a negative impact on the ecosystem.

Read the instructions carefully before using the unit for the first time. It is recommended not to use the product for any purpose other than that for which it was designed, as there is a risk of electric shock if used improperly.

## 9. DIAGNOSIS AND TROUBLESHOOTING

### 9.1 Fault finding

All units are checked and tested at the factory before shipment, however, during operation an anomaly or failure can occur.

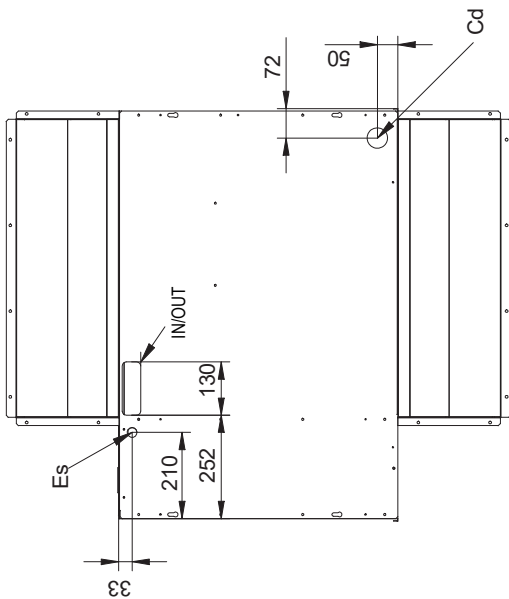
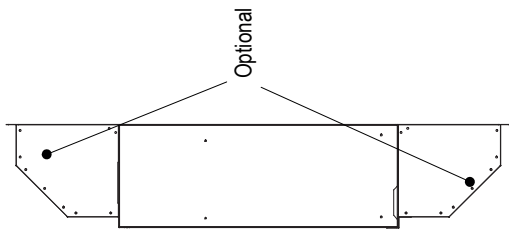
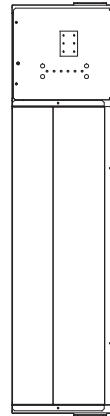
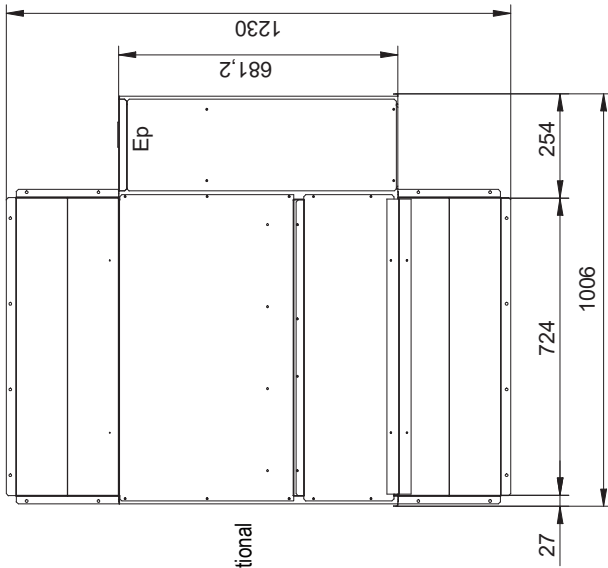
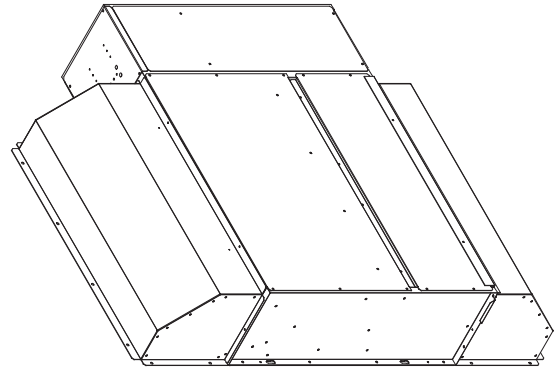
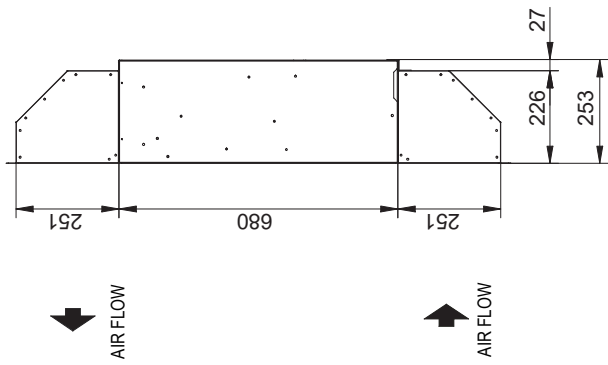


BE SURE TO RESET AN ALARM ONLY AFTER YOU HAVE REMOVED THE CAUSE OF THE FAULT; REPEATED RESET MAY RESULT IN IRREVOCABLE DAMAGE TO THE UNIT.

Code	Alarm description	Electronic sensor	mechanical thermostat/hygrostat	Cause	Solution
AhiP	High pressure	Yes	Yes	Too low airflow or high room temperature.	Check the filters, if necessary replace them. In P versions, check the pressure drop of the ducts.
APBa/ APBi	Room temperature probe sensor alarm PBa	Yes	No	Replace faulty sensor	Contact the Company
APBu	Room humidity probe sensor alarm PBu	Yes	No		
Atdf	Defrost time too long.	Yes	Yes	Warning	(Reporting only)
Atlo	Low room temperature.	Yes	No	Replace faulty sensor	Contact the Company
Athi	High room temperature.	Yes	No	Replace faulty sensor	Contact the Company
Atr	Electrical heater thermal alarm (if present)	Yes	Yes	Too low airflow	Check the filters, if necessary replace them. In ducted versions, check the pressure drop of the ducts.



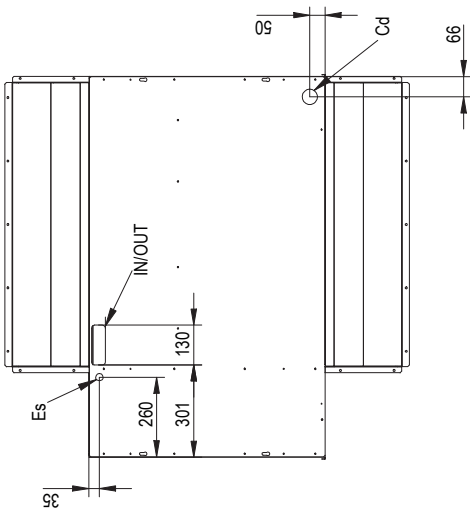
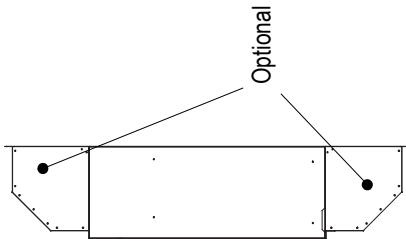
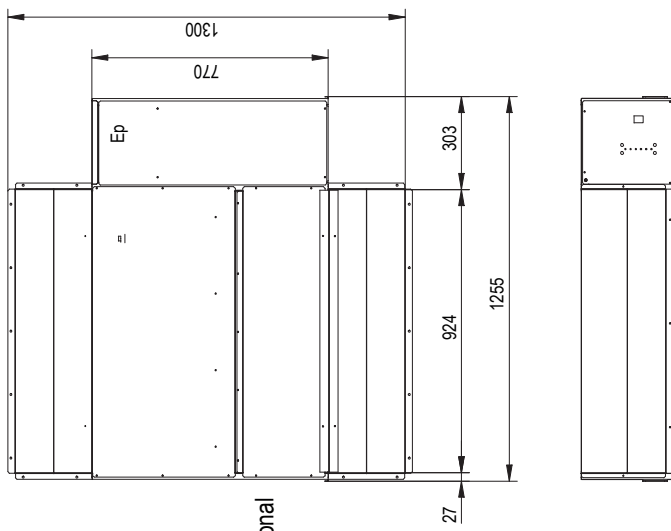
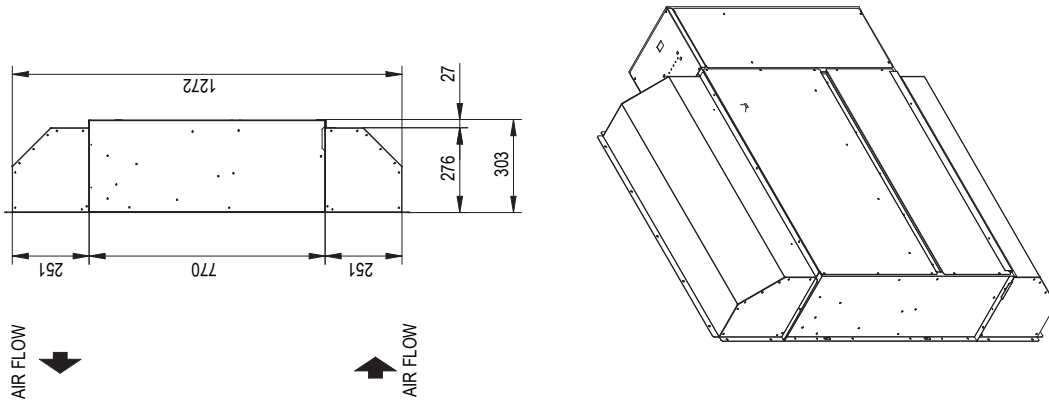
Dimensional drawing DP 75-R / DP 100-R



	DP 75	DP 100
Kg	65	68

Ep	ELECTRICAL PANEL
Es	INPUT POWER
Cd	DRAIN
IN Ø 1/2" G M	WATER INLET
OUT Ø 1/2" G M	WATER OUTLET

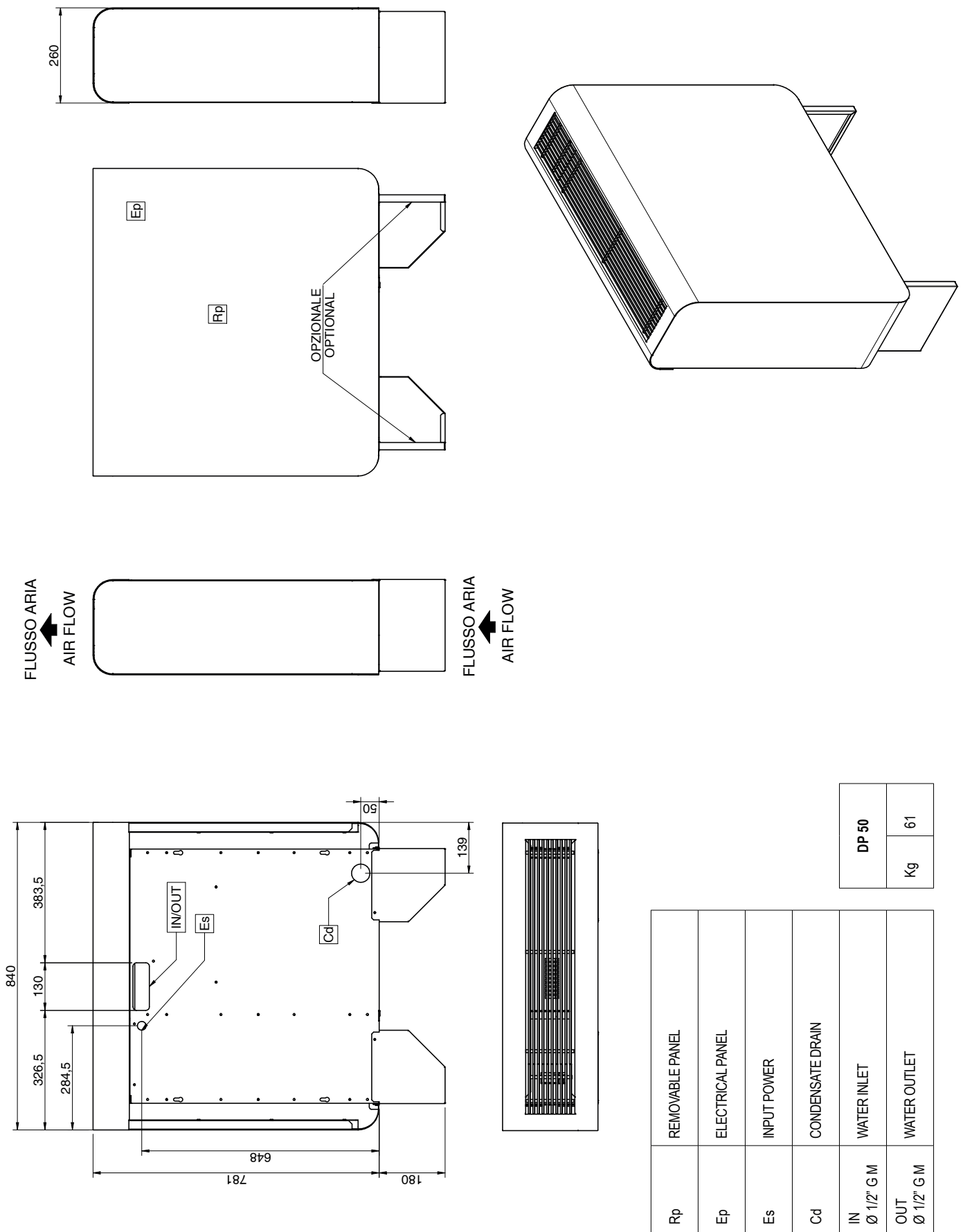
Dimensional drawing DP 150/153-R / DP 200/203-R



	DP 150	DP 153	DP 200	DP 203
Kg	102	110	102	110

Ep	ELECTRICAL PANEL
Es	INPUT POWER
Cd	DRAIN
IN Ø 1/2" G M	WATER INLET
OUT Ø 1/2" G M	WATER OUTLET

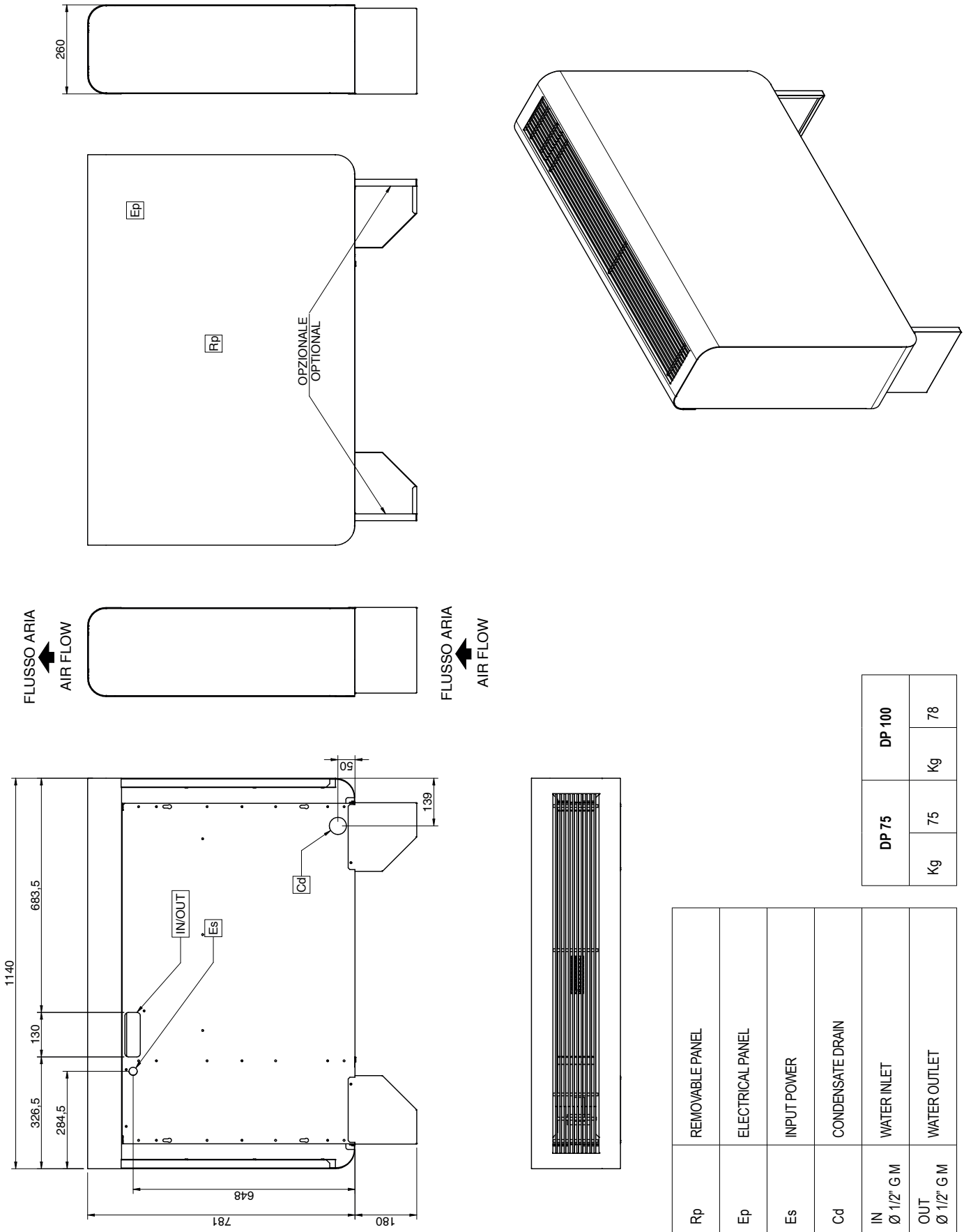
Dimensional drawing DP 50-W



Rp	REMOVABLE PANEL	
Ep	ELECTRICAL PANEL	
Es	INPUT POWER	
Cd	CONDENSATE DRAIN	
IN Ø 1/2" G M	WATER INLET	
OUT Ø 1/2" G M	WATER OUTLET	

	<b>DP 50</b>
	Kg 61

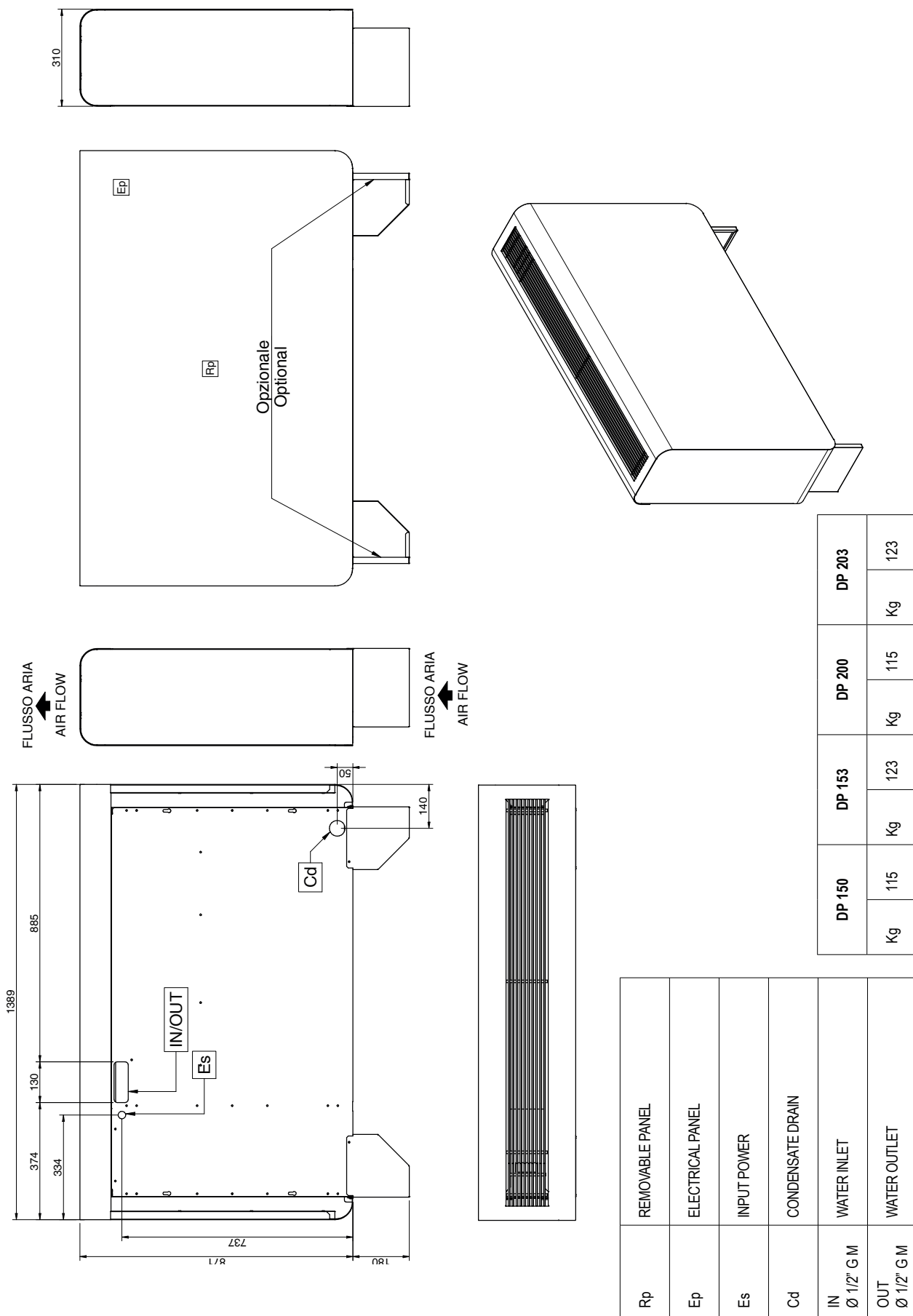
Dimensional drawing DP 75-W / DP 100-W



	DP 75	DP 100
Kg	75	78

Rp	REMOVABLE PANEL
Ep	ELECTRICAL PANEL
Es	INPUT POWER
Cd	CONDENSATE DRAIN
IN Ø 1/2" G M	WATER INLET
OUT Ø 1/2" G M	WATER OUTLET

Dimensional drawing DP 150/153-W / DP 200/203-W






Opzionale  
Optional

	DP 150	DP 153	DP 200	DP 203
Kg	115	123	115	123
			Kg	Kg

Rp	REMOVABLE PANEL
Ep	ELECTRICAL PANEL
Es	INPUT POWER
Cd	CONDENSATE DRAIN
IN Ø 1/2" G M	WATER INLET
OUT Ø 1/2" G M	WATER OUTLET

11 . EU DECLARATION OF CONFORMITY

 Condair Group AG Gwattstrasse 17 8808 Pfäffikon Switzerland www.condair.com			<b>DICHIARAZIONE DI CONFORMITÀ UE</b> <b>EU DECLARATION OF CONFORMITY</b>												
Data/Date issuing date	Macchina Modello / Unit Model code and unit description	Numero di serie / Serial number unit serial number													
<p>Noi, firmatari della presente, dichiariamo sotto la nostra esclusiva responsabilità che l'insieme in oggetto, a cui questa dichiarazione si riferisce è conforme a tutte le disposizioni pertinenti delle seguenti direttive ed alle relative normative armonizzate dell'Unione Europea.</p> <p>We, the undersigned, hereby declare under our own responsibility that the assembly in question, to which this declaration refers, complies with all the provisions related to the following directives and harmonised European standards</p> <p><b>Direttive CEE / EEC directive:</b></p> <ul style="list-style-type: none"> <li>- 2006/42 EC</li> <li>- 2014/30 EU</li> <li>- 2014/68 EU</li> <li>- 2011/65 EU</li> <li>- 2014/35 EU</li> </ul> <p><b>Normative armonizzate / Harmonised standards:</b></p> <table style="width: 100%; border: none;"> <tr> <td style="width: 33%;">EN 60204-1:2018</td> <td style="width: 33%;">EN ISO 13857:2020</td> <td style="width: 33%;">EN 14276-2:2011</td> </tr> <tr> <td>EN 61000-6-1:2019</td> <td>EN 378-2:2017</td> <td>EN 13136:2019</td> </tr> <tr> <td>EN 61000-6-3:2013</td> <td>EN 14276-1:2011</td> <td>EN 12735-1:2020</td> </tr> <tr> <td>EN ISO 12100:2010</td> <td></td> <td>EN 12735-2:2016</td> </tr> </table>				EN 60204-1:2018	EN ISO 13857:2020	EN 14276-2:2011	EN 61000-6-1:2019	EN 378-2:2017	EN 13136:2019	EN 61000-6-3:2013	EN 14276-1:2011	EN 12735-1:2020	EN ISO 12100:2010		EN 12735-2:2016
EN 60204-1:2018	EN ISO 13857:2020	EN 14276-2:2011													
EN 61000-6-1:2019	EN 378-2:2017	EN 13136:2019													
EN 61000-6-3:2013	EN 14276-1:2011	EN 12735-1:2020													
EN ISO 12100:2010		EN 12735-2:2016													
<p><b>Il Costruttore / The Manufacturer</b></p> <div style="text-align: center;">  <p>Condair Group AG Robert Merki</p> </div>															

## Maintenance and Service Report

Date \_\_\_\_\_ Job No. \_\_\_\_\_ Model \_\_\_\_\_

Type of Service:     Commissioning     Maintenance    Serial number \_\_\_\_\_  
                            F-Gas inspection

Customer No./Name \_\_\_\_\_ City / Town \_\_\_\_\_  
 Address \_\_\_\_\_ Phone number \_\_\_\_\_

Date	Start of work	End of work	Total work time (hours)	Travel time (hours)	Total travel distance (km)

**Operating conditions**

**Measurements**

Suction line temperature:	°C				
Liquid line temperature:	°C				
Evaporation pressure:	bar				
Condensation pressure:	bar				
Superheating:	K				
Subcooling:	K				
Outdoor temperature:	°C				
Discharge line temperature at compressor outlet:	°C				
Outlet air temperature/humidity:	°C / % RH				
Inlet air temperatur/humidtiy:	°C / % RH				
Outlet air flow:	m <sup>3</sup> /h				
Inlet air flow:	m <sup>3</sup> /h				

Name and signature of service technician \_\_\_\_\_

Name and signature upon acceptance of the work \_\_\_\_\_

## Maintenance and Service Report

Date \_\_\_\_\_ Job No. \_\_\_\_\_ Model \_\_\_\_\_

Type of Service:     Commissioning     Maintenance    Serial number \_\_\_\_\_  
                            F-Gas inspection

Customer No./Name \_\_\_\_\_ City / Town \_\_\_\_\_  
 Address \_\_\_\_\_ Phone number \_\_\_\_\_

Date	Start of work	End of work	Total work time (hours)	Travel time (hours)	Total travel distance (km)

**Operating conditions**

**Measurements**

Suction line temperature:	°C				
Liquid line temperature:	°C				
Evaporation pressure:	bar				
Condensation pressure:	bar				
Superheating:	K				
Subcooling:	K				
Outdoor temperature:	°C				
Discharge line temperature at compressor outlet:	°C				
Outlet air temperature/humidity:	°C / % RH				
Inlet air temperatur/humidtiy:	°C / % RH				
Outlet air flow:	m <sup>3</sup> /h				
Inlet air flow:	m <sup>3</sup> /h				

Name and signature of service technician \_\_\_\_\_

Name and signature upon acceptance of the work \_\_\_\_\_

## Maintenance and Service Report

Date \_\_\_\_\_ Job No. \_\_\_\_\_ Model \_\_\_\_\_

Type of Service:     Commissioning     Maintenance    Serial number \_\_\_\_\_  
                            F-Gas inspection

Customer No./Name \_\_\_\_\_ City / Town \_\_\_\_\_  
 Address \_\_\_\_\_ Phone number \_\_\_\_\_

Date	Start of work	End of work	Total work time (hours)	Travel time (hours)	Total travel distance (km)

**Operating conditions**

**Measurements**

Suction line temperature:	°C				
Liquid line temperature:	°C				
Evaporation pressure:	bar				
Condensation pressure:	bar				
Superheating:	K				
Subcooling:	K				
Outdoor temperature:	°C				
Discharge line temperature at compressor outlet:	°C				
Outlet air temperature/humidity:	°C / % RH				
Inlet air temperatur/humidtiy:	°C / % RH				
Outlet air flow:	m <sup>3</sup> /h				
Inlet air flow:	m <sup>3</sup> /h				

Name and signature of service technician \_\_\_\_\_

Name and signature upon acceptance of the work \_\_\_\_\_

## Maintenance and Service Report

Date \_\_\_\_\_ Job No. \_\_\_\_\_ Model \_\_\_\_\_

Type of Service:     Commissioning     Maintenance    Serial number \_\_\_\_\_  
                           F-Gas inspection

Customer No./Name \_\_\_\_\_ City / Town \_\_\_\_\_  
 Address \_\_\_\_\_ Phone number \_\_\_\_\_

Date	Start of work	End of work	Total work time (hours)	Travel time (hours)	Total travel distance (km)

**Operating conditions**

**Measurements**

Suction line temperature:	°C				
Liquid line temperature:	°C				
Evaporation pressure:	bar				
Condensation pressure:	bar				
Superheating:	K				
Subcooling:	K				
Outdoor temperature:	°C				
Discharge line temperature at compressor outlet:	°C				
Outlet air temperature/humidity:	°C / % RH				
Inlet air temperatur/humidtiy:	°C / % RH				
Outlet air flow:	m <sup>3</sup> /h				
Inlet air flow:	m <sup>3</sup> /h				

Name and signature of service technician \_\_\_\_\_

Name and signature upon acceptance of the work \_\_\_\_\_

## Maintenance and Service Report

Date \_\_\_\_\_ Job No. \_\_\_\_\_ Model \_\_\_\_\_

Type of Service:     Commissioning     Maintenance    Serial number \_\_\_\_\_  
                           F-Gas inspection

Customer No./Name \_\_\_\_\_ City / Town \_\_\_\_\_  
 Address \_\_\_\_\_ Phone number \_\_\_\_\_

Date	Start of work	End of work	Total work time (hours)	Travel time (hours)	Total travel distance (km)

**Operating conditions**

**Measurements**

Suction line temperature:	°C				
Liquid line temperature:	°C				
Evaporation pressure:	bar				
Condensation pressure:	bar				
Superheating:	K				
Subcooling:	K				
Outdoor temperature:	°C				
Discharge line temperature at compressor outlet:	°C				
Outlet air temperature/humidity:	°C / % RH				
Inlet air temperatur/humidtiy:	°C / % RH				
Outlet air flow:	m <sup>3</sup> /h				
Inlet air flow:	m <sup>3</sup> /h				

Name and signature of service technician \_\_\_\_\_

Name and signature upon acceptance of the work \_\_\_\_\_

## Maintenance and Service Report

Date \_\_\_\_\_ Job No. \_\_\_\_\_ Model \_\_\_\_\_

Type of Service:     Commissioning     Maintenance    Serial number \_\_\_\_\_  
                           F-Gas inspection

Customer No./Name \_\_\_\_\_ City / Town \_\_\_\_\_  
 Address \_\_\_\_\_ Phone number \_\_\_\_\_

Date	Start of work	End of work	Total work time (hours)	Travel time (hours)	Total travel distance (km)

**Operating conditions**

**Measurements**

Suction line temperature:	°C				
Liquid line temperature:	°C				
Evaporation pressure:	bar				
Condensation pressure:	bar				
Superheating:	K				
Subcooling:	K				
Outdoor temperature:	°C				
Discharge line temperature at compressor outlet:	°C				
Outlet air temperature/humidity:	°C / % RH				
Inlet air temperatur/humidtiy:	°C / % RH				
Outlet air flow:	m <sup>3</sup> /h				
Inlet air flow:	m <sup>3</sup> /h				

Name and signature of service technician \_\_\_\_\_

Name and signature upon acceptance of the work \_\_\_\_\_

CONSULTING, SALES AND SERVICE:



CH94/0002.00

Condair Group AG  
Gwattstrasse 17, CH-8808 Pfäffikon (SZ)  
Phone +41 55 416 61 11, Fax +41 55 416 62 62  
info@condair.com, www.condair.com

